

LED Stop, Tail & Turn Light - Model 267

PRODUCT INFORMATION

Description	12-24V ECE/SAE LED Stop, Tail & Turn Signal Light
Height	98.55 mm / 3.88 in
Width	277.88 mm / 10.94 in
Depth	33.78 mm / 1.33 in
Shape	Rectangular
Outer Lens Material	Acrylic
Outer Lens Color	Amber, Red
Housing Material	ABS
Housing Color	Black
Mounting Hardware Description	(x2) M6-1 x 25mm Mounting Bolts
Mounting Type	Low Profile Mount
Minimum Operating Temperature	-40 °C / -40 °F
Maximum Operating Temperature	65 °C / 149 °F
Connector or Wiring	Integrated 4-Pin Deutsch Socket (DT04-4P)
Mating Connector	4-Pin Deutsch Plug (DT06-4S)
Product Weight	0.82 lbs / 0.37 kgs
Shipping Weight	1.12 lbs / 0.51 kgs



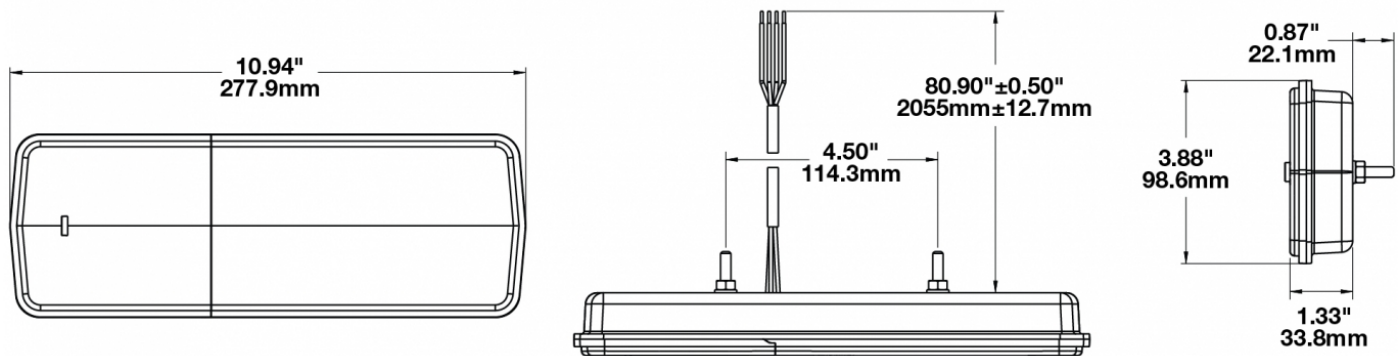
Print date: 2026-05-23

© 2026 J.W. Speaker Corporation • Germantown, WI U.S.A.
www.jwspeaker.com • speaker@jwspeaker.com • 262.251.6660

J.W. SPEAKER 
Engineered. Lighting. Solutions.

LED Stop, Tail & Turn Light - Model 267

PRODUCT DIMENSIONS



ELECTRICAL SPECIFICATIONS

Input Voltage	12-24V DC
Red Wire	Stop
White Wire	Tail
Green Wire	Turn
Black Wire	Negative
Current Draw	0.375A @ 12V DC (Stop) 0.250A @ 24V DC (Stop) 0.075A @ 12V DC (Tail) 0.05A @ 24V DC (Tail) 0.450A @ 12V DC (Turn) 0.325A @ 24V DC (Turn)

Print date: 2026-05-23

© 2026 J.W. Speaker Corporation • Germantown, WI U.S.A.
www.jwspeaker.com • speaker@jwspeaker.com • 262.251.6660

J.W. SPEAKER
Engineered. Lighting. Solutions.

LED Stop, Tail & Turn Light - Model 267

REGULATORY STANDARDS COMPLIANCE



ASABE S279	Buy America Standards
ECE Reg 3	ECE Reg 6
ECE Reg 7	Eco Friendly
FMVSS 108 s7.1 (Table VII)	FMVSS 108 s7.2 (Table VIII)
FMVSS 108 s7.3 (Table IX)	FMVSS 108 s8.1 (Table XVI)
SAE J575	SAE J585
SAE J586	SAE J588
SAE J594	

PHOTOMETRIC SPECIFICATIONS

Beam Pattern(s)	Signalization - Stop
	Signalization - Tail
	Signalization - Turn (Front)
	Signalization - Turn (Rear)

APPLICATIONS



PRODUCT WARNINGS

For California residents:

⚠ WARNING: Cancer and reproductive harm - www.P65Warnings.ca.gov.

⚠ AVERTISSEMENT: Cancer et effet nocif sur la reproduction - www.P65Warnings.ca.gov.

Print date: 2026-05-23

© 2026 J.W. Speaker Corporation • Germantown, WI U.S.A.
www.jwspeaker.com • speaker@jwspeaker.com • 262.251.6660

J.W. SPEAKER
 Engineered. Lighting. Solutions.