

# LED Stop, Tail & Turn Light - Model 267

## PRODUCT INFORMATION

<b>Description</b>	12-24V ECE/SAE LED Stop, Tail & Turn Signal Light
<b>Height</b>	98.55 mm / 3.88 in
<b>Width</b>	277.88 mm / 10.94 in
<b>Depth</b>	33.78 mm / 1.33 in
<b>Shape</b>	Rectangular
<b>Outer Lens Material</b>	Acrylic
<b>Outer Lens Color</b>	Amber, Red
<b>Housing Material</b>	ABS
<b>Housing Color</b>	Black
<b>Mounting Hardware Description</b>	(x2) M6-1 x 25mm Mounting Bolts
<b>Mounting Type</b>	Low Profile Mount
<b>Minimum Operating Temperature</b>	-40 °C / -40 °F
<b>Maximum Operating Temperature</b>	65 °C / 149 °F
<b>Connector or Wiring</b>	Integrated 4-Pin Deutsch Socket (DT04-4P)
<b>Mating Connector</b>	4-Pin Deutsch Plug (DT06-4S)
<b>Product Weight</b>	0.00 lbs / 0 kgs



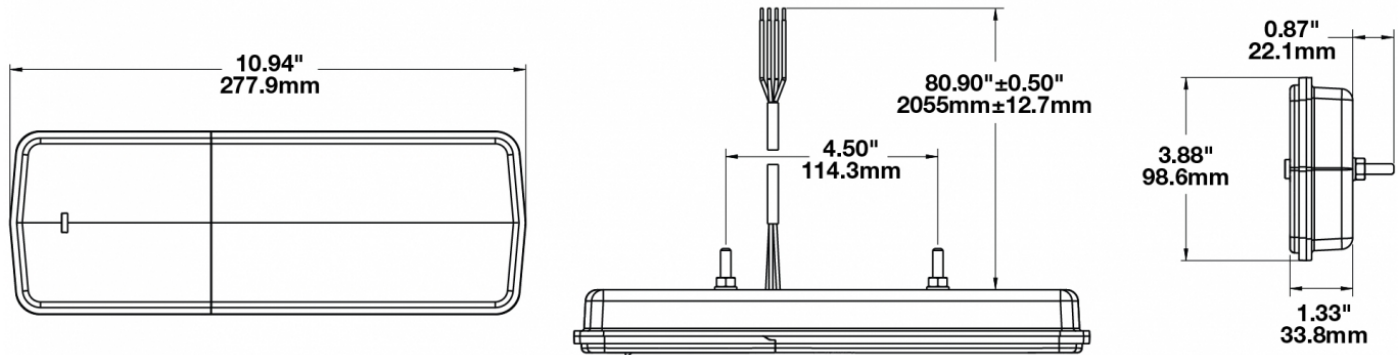
Print date: 2019-01-23

© 2019 J.W. Speaker Corporation • Germantown, WI U.S.A.  
[www.jwspeaker.com](http://www.jwspeaker.com) • [speaker@jwspeaker.com](mailto:speaker@jwspeaker.com) • 262.251.6660

**J.W. SPEAKER**   
 Engineered. Lighting. Solutions.

# LED Stop, Tail & Turn Light - Model 267

## PRODUCT DIMENSIONS



## ELECTRICAL SPECIFICATIONS

<b>Input Voltage</b>	12-24V DC
<b>Red Wire</b>	Stop
<b>White Wire</b>	Tail
<b>Green Wire</b>	Turn
<b>Black Wire</b>	Negative
<b>Current Draw</b>	0.375A @ 12V DC (Stop) 0.250A @ 24V DC (Stop) 0.075A @ 12V DC (Tail) 0.05A @ 24V DC (Tail) 0.450A @ 12V DC (Turn) 0.325A @ 24V DC (Turn)

Print date: 2019-01-23

© 2019 J.W. Speaker Corporation • Germantown, WI U.S.A.  
www.jwspeaker.com • speaker@jwspeaker.com • 262.251.6660

# LED Stop, Tail & Turn Light - Model 267

## REGULATORY STANDARDS COMPLIANCE



- |                      |                       |
|----------------------|-----------------------|
| ASABE S279           | Buy America Standards |
| ECE Reg 3            | ECE Reg 6             |
| ECE Reg 7            | Eco Friendly          |
| FMVSS 108 Table IX   | FMVSS 108 Table VII   |
| FMVSS 108 Table VIII | FMVSS 108 Table XVI   |
| SAE J575             | SAE J585              |
| SAE J586             | SAE J588              |
| SAE J594             |                       |

## PHOTOMETRIC SPECIFICATIONS

- Beam Pattern(s)**
- Signalization - Stop
  - Signalization - Tail
  - Signalization - Turn (Front)
  - Signalization - Turn (Rear)

## APPLICATIONS



Print date: 2019-01-23

© 2019 J.W. Speaker Corporation • Germantown, WI U.S.A.  
www.jwspeaker.com • speaker@jwspeaker.com • 262.251.6660

