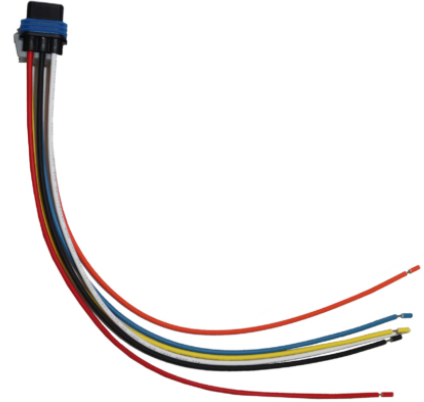


6-Pin PE Connector Wire Harness Assembly

PRODUCT INFORMATION

Description	6-Pin PE Connector Wire Harness Assembly
Connector or Wiring	PE 12052848 with 12.5 inch bare leads
Mating Connector	PE 12124107
Product Weight	0.40 lbs / 0.18 kgs
Shipping Weight	0.46 lbs / 0.21 kgs

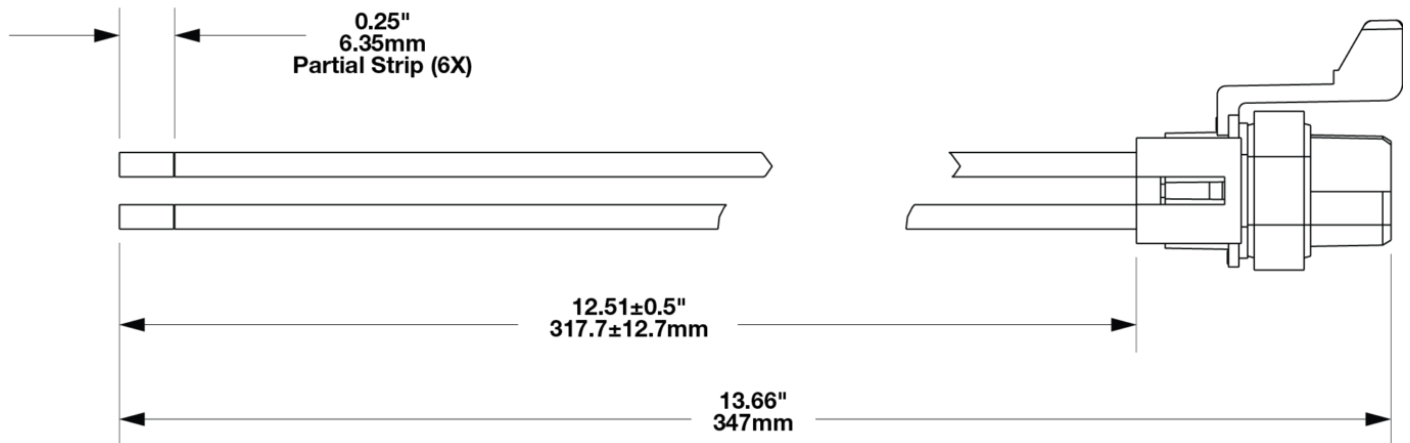


Print date: 2026-06-22

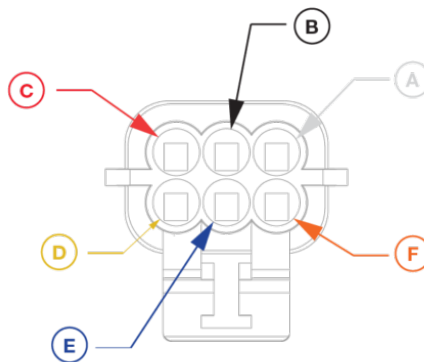
© 2026 J.W. Speaker Corporation • Germantown, WI U.S.A.
www.jwspeaker.com • speaker@jwspeaker.com • 262.251.6660

6-Pin PE Connector Wire Harness Assembly

PRODUCT DIMENSIONS



Connector Pin-Out	Light Function
A	High Beam
B	Ground
C	Front Position
D	Turn
E	DRL
F	Low Beam



ELECTRICAL SPECIFICATIONS

White Wire	High Beam
Black Wire	Ground
Red Wire	Front Position
Yellow Wire	Turn
Blue Wire	DRL
Orange Wire	Low Beam

Print date: 2026-06-22

© 2026 J.W. Speaker Corporation • Germantown, WI U.S.A.
www.jwspeaker.com • speaker@jwspeaker.com • 262.251.6660

6-Pin PE Connector Wire Harness Assembly

REGULATORY STANDARDS COMPLIANCE



Buy America Standards

Eco Friendly

APPLICATIONS



PRODUCT WARNINGS

For California residents:

⚠ **WARNING:** Cancer and reproductive harm - www.P65Warnings.ca.gov.

⚠ **AVERTISSEMENT:** Cancer et effet nocif sur la reproduction - www.P65Warnings.ca.gov.

SUITS THESE PRODUCTS



2" x 7" LED Stop, Tail, Turn Signal & Backup Lamps

LED Stop, Tail, Turn &
Backup Lights - Model
280

Print date: 2026-06-22

© 2026 J.W. Speaker Corporation • Germantown, WI U.S.A.
www.jwspeaker.com • speaker@jwspeaker.com • 262.251.6660