

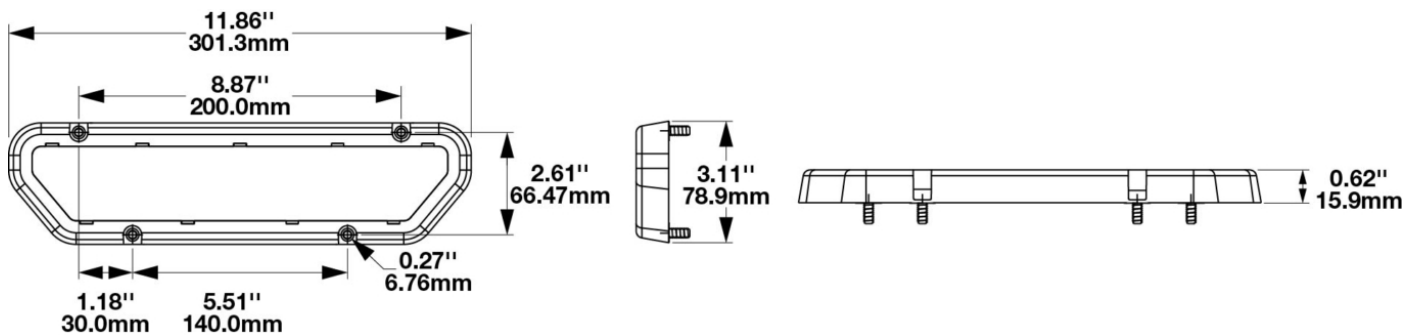
Panel Mount for Model 260 SAE and 905

PRODUCT INFORMATION

| | |
|------------------------|---------------------------------------|
| Description | Panel Mount for Model 260 SAE and 905 |
| Height | 78.90 mm / 3.11 in |
| Width | 301.20 mm / 11.86 in |
| Depth | 21.50 mm / 0.85 in |
| Product Weight | 0.17 lbs / 0.08 kgs |
| Shipping Weight | 2.01 lbs / 0.91 kgs |



PRODUCT DIMENSIONS



Print date: 2024-11-08

© 2024 J.W. Speaker Corporation • Germantown, WI U.S.A.
 www.jwspeaker.com • speaker@jwspeaker.com • 262.251.6660

J.W. SPEAKER
 Engineered. Lighting. Solutions.

Panel Mount for Model 260 SAE and 905

APPLICATIONS



INSTALLATION & APPLICATION INFORMATION

The 8200931 Panel Mount is only used with the Model 260 DOT/SAE RCL (0347951) and the Model 905 Work Lights.

PRODUCT WARNINGS

For California residents:

⚠ **WARNING:** Cancer and reproductive harm - www.P65Warnings.ca.gov.

⚠ **AVERTISSEMENT:** Cancer et effet nocif sur la reproduction - www.P65Warnings.ca.gov.

SUITS THESE PRODUCTS



**11" X 2" X 3/4" LED
Rear Multi-
functional Light**

LED Stop, Tail, Turn &
Backup Lights - Model
260



**11" X 2" X 1/2" LED
Work Lights**

LED Work & Backup
Lights - Model 905