

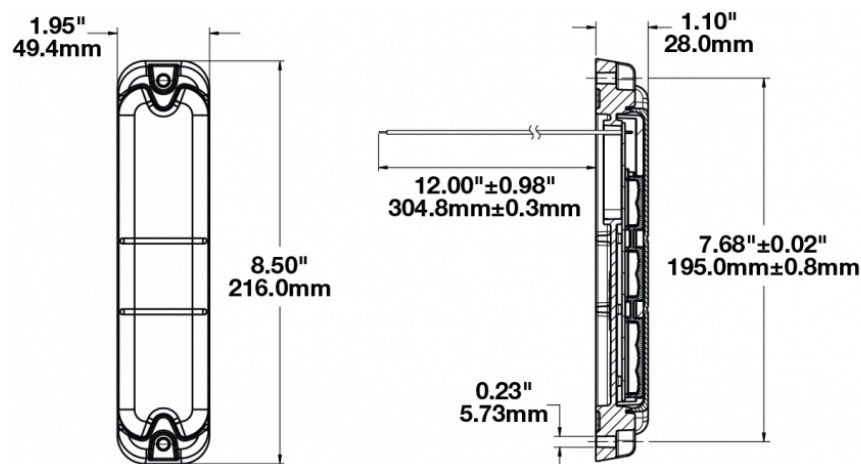
LED Stop Light, Tail Light, Turn Light & Backup Light - Model 281

PRODUCT INFORMATION

Description	48V LED Stop, Tail, Turn Signal, & Backup Light with 2 Amp Flasher - 2 Light Kit
Product Weight	0.80 lbs / 0.36 kgs
Shipping Weight	1.80 lbs / 0.82 kgs



PRODUCT DIMENSIONS



Print date: 2026-06-18

© 2026 J.W. Speaker Corporation • Germantown, WI U.S.A.
 www.jwspeaker.com • speaker@jwspeaker.com • 262.251.6660

LED Stop Light, Tail Light, Turn Light & Backup Light - Model 281

REGULATORY STANDARDS COMPLIANCE



IEC IP67

UL Recognized

APPLICATIONS



PRODUCT WARNINGS

For California residents:

⚠ WARNING: Cancer and reproductive harm - www.P65Warnings.ca.gov.

⚠ AVERTISSEMENT: Cancer et effet nocif sur la reproduction - www.P65Warnings.ca.gov.

RELATED PRODUCTS



Part Number
0338061

12V LED Stop, Tail,
Turn Signal & Backup
Light without Flasher



Part Number
0338091

24-36V LED Stop, Tail,
Turn Signal & Backup
Light without Flasher



Part Number
0339011

48V LED Stop, Tail,
Turn Signal & Backup
Light without Flasher

Print date: 2026-06-18

© 2026 J.W. Speaker Corporation • Germantown, WI U.S.A.
www.jwspeaker.com • speaker@jwspeaker.com • 262.251.6660