

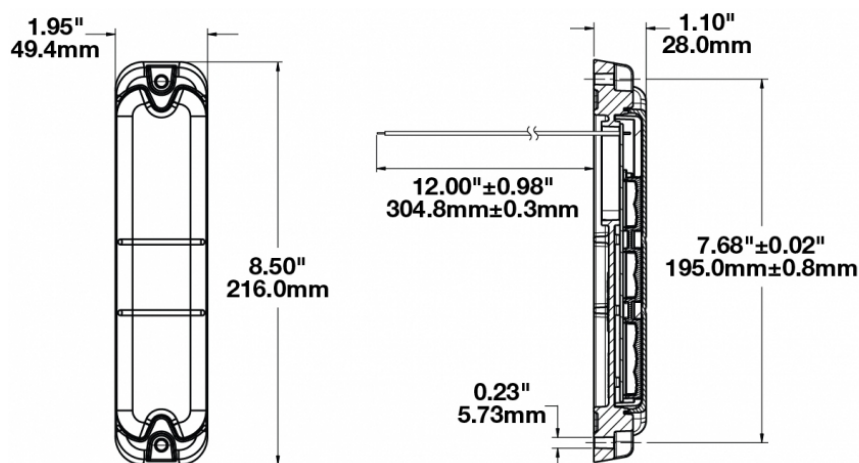
LED Stop Light, Tail Light, Turn Light & Backup Light - Model 281

PRODUCT INFORMATION

| | |
|--------------------------------------|---|
| Description | 24-36V LED Stop, Tail, Turn Signal & Backup Light without Flasher |
| Height | 215.90 mm / 8.5 in |
| Width | 49.53 mm / 1.95 in |
| Depth | 27.94 mm / 1.1 in |
| Shape | Rectangular |
| Outer Lens Material | Polycarbonate |
| Outer Lens Color | Clear |
| Housing Material | ABS |
| Housing Color | Black |
| Mounting Type | Low Profile Mount |
| Minimum Operating Temperature | -40 °C / -40 °F |
| Maximum Operating Temperature | 65 °C / 149 °F |
| Connector or Wiring | 12" Bare Leads |
| Product Weight | 0.65 lbs / 0.29 kgs |
| Shipping Weight | 0.90 lbs / 0.41 kgs |



PRODUCT DIMENSIONS



Print date: 2026-04-03

© 2026 J.W. Speaker Corporation • Germantown, WI U.S.A.
 www.jwspeaker.com • speaker@jwspeaker.com • 262.251.6660

LED Stop Light, Tail Light, Turn Light & Backup Light - Model 281

ELECTRICAL SPECIFICATIONS

| | |
|-----------------------|--------------------------------|
| Input Voltage | 24-36V DC |
| White Wire | Backup |
| Yellow Wire | Turn |
| Red Wire | Brake |
| White/Red Wire | Tail |
| Black Wire | Ground |
| Current Draw | 0.4A @ 24V DC 0.4A @ 36V DC |

REGULATORY STANDARDS COMPLIANCE



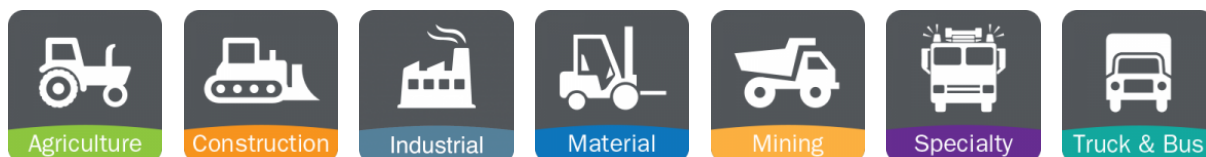
Buy America Standards
IEC IP67

Eco Friendly
UL Recognized

PHOTOMETRIC SPECIFICATIONS

| | |
|------------------------|---|
| Beam Pattern(s) | Signalization - Stop Signalization - Tail Signalization - Turn (Front) Signalization - Turn (Rear) |
|------------------------|---|

APPLICATIONS



Print date: 2026-04-03

© 2026 J.W. Speaker Corporation • Germantown, WI U.S.A.
www.jwspeaker.com • speaker@jwspeaker.com • 262.251.6660

J.W. SPEAKER
Engineered. Lighting. Solutions.

LED Stop Light, Tail Light, Turn Light & Backup Light - Model 281

PRODUCT WARNINGS

For California residents:

⚠ **WARNING:** Cancer and reproductive harm - www.P65Warnings.ca.gov.

⚠ **AVERTISSEMENT:** Cancer et effet nocif sur la reproduction - www.P65Warnings.ca.gov.

RELATED PRODUCTS



Part Number
0338061

12V LED Stop, Tail,
Turn Signal & Backup
Light without Flasher



Part Number
0339011

48V LED Stop, Tail,
Turn Signal & Backup
Light without Flasher



Part Number
0339021

48V LED Stop, Tail,
Turn Signal, & Backup
Light with 2 Amp
Flasher - 2 Light Kit