

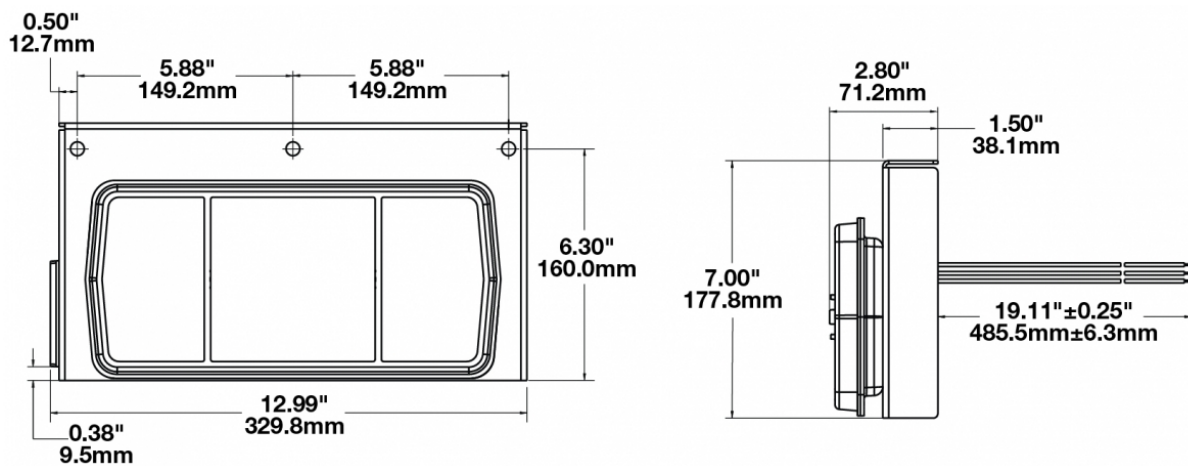
Optional Mounting Bracket Assembly for Hino Trucks

PRODUCT INFORMATION

Description	Optional Mounting Bracket Assembly for Hino Trucks
Height	177.80 mm / 7 in
Width	329.95 mm / 12.99 in
Depth	38.10 mm / 1.5 in



PRODUCT DIMENSIONS



Print date: 2017-09-26

© 2017 J.W. Speaker Corporation • Germantown, WI U.S.A.
 www.jwspeaker.com • speaker@jwspeaker.com • 262.251.6660

Optional Mounting Bracket Assembly for Hino Trucks

REGULATORY STANDARDS COMPLIANCE



Buy America Standards

SUITS THESE PRODUCTS



**11" x 4" LED Stop,
Tail, Turn Signal &
Backup Lamp**

LED Stop, Tail, Turn &
Backup Light - Model
265

Print date: 2017-09-26

© 2017 J.W. Speaker Corporation • Germantown, WI U.S.A.
www.jwspeaker.com • speaker@jwspeaker.com • 262.251.6660