

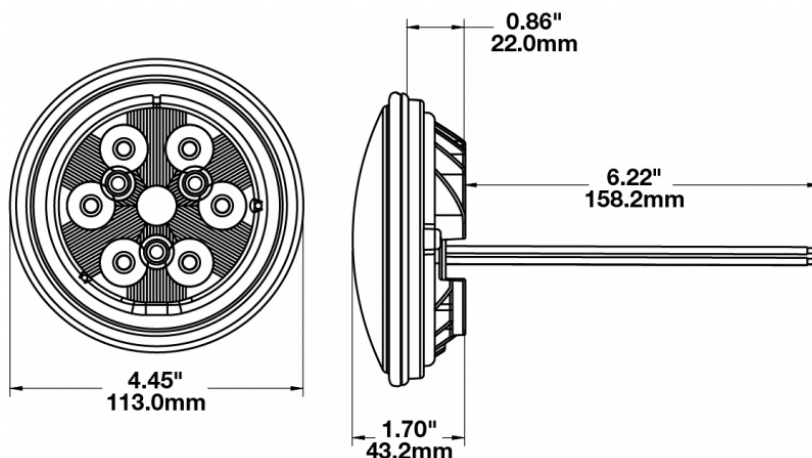
LED Stop & Tail Lights - Model 6042

PRODUCT INFORMATION

Description	12-24V SAE LED Stop & Tail Light
Height	113.03 mm / 4.45 in
Width	113.03 mm / 4.45 in
Depth	43.18 mm / 1.7 in
Shape	Round
Outer Lens Material	Polycarbonate
Outer Lens Color	Clear
Housing Material	Die-Cast Aluminum
Housing Color	Black
Retrofits	PAR36
Minimum Operating Temperature	-40 °C / -40 °F
Maximum Operating Temperature	65 °C / 149 °F
Mating Connector	Female Terminal Mole1 ETC AA-2140 T or #8 Ring Terminal
Product Weight	0.49 lbs / 0.22 kgs
Shipping Weight	10.35 lbs / 4.69 kgs



PRODUCT DIMENSIONS



Print date: 2017-09-24

© 2017 J.W. Speaker Corporation • Germantown, WI U.S.A.
www.jwspeaker.com • speaker@jwspeaker.com • 262.251.6660

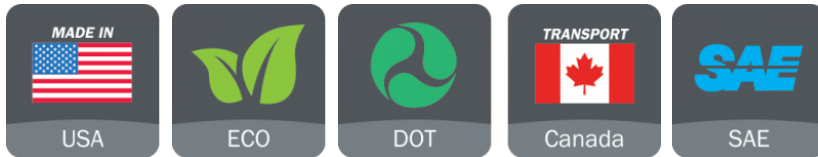
J.W. SPEAKER®
Engineered. Lighting. Solutions.

LED Stop & Tail Lights - Model 6042

ELECTRICAL SPECIFICATIONS

Input Voltage	12-24V DC
Red Wire	Stop
White Wire	Tail
Black Wire	Ground
Current Draw	0.165A @ 12V DC (Stop) 0.180A @ 24V DC (Stop) 0.012A @ 12V DC (Tail) 0.012A @ 24V DC (Tail)

REGULATORY STANDARDS COMPLIANCE



Buy America Standards
FMVSS 108 Table IX
IEC IP67
SAE J586

Eco Friendly
FMVSS 108 Table VIII
SAE J585

PHOTOMETRIC SPECIFICATIONS

Nominal LED Color Temperature 5000 K

Print date: 2017-09-24

© 2017 J.W. Speaker Corporation • Germantown, WI U.S.A.
www.jwspeaker.com • speaker@jwspeaker.com • 262.251.6660

LED Stop & Tail Lights - Model 6042

APPLICATIONS

