

LED Headlight - Model 9800

PRODUCT INFORMATION

| | |
|--------------------------------------|---|
| Description | 12V DOT LED Heated Headlight - 2 Light Kit |
| Height | 94.53 mm / 3.72 in |
| Width | 291.58 mm / 11.48 in |
| Depth | 133.17 mm / 5.24 in |
| Shape | Rectangular |
| Outer Lens Material | Polycarbonate |
| Outer Lens Color | Clear |
| Housing Material | Xenoy |
| Housing Color | Black |
| Bezel Color | Black |
| Mounting Hardware Description | (x4) M8 - 1.25-80 mm x 25 mm SS Carriage Bolt |
| Mounting Type | Universal Pedestal Mount |
| Mating Connector | Delphi (#12052848) |
| Shipping Weight | 8.09 lbs / 3.67 kgs |



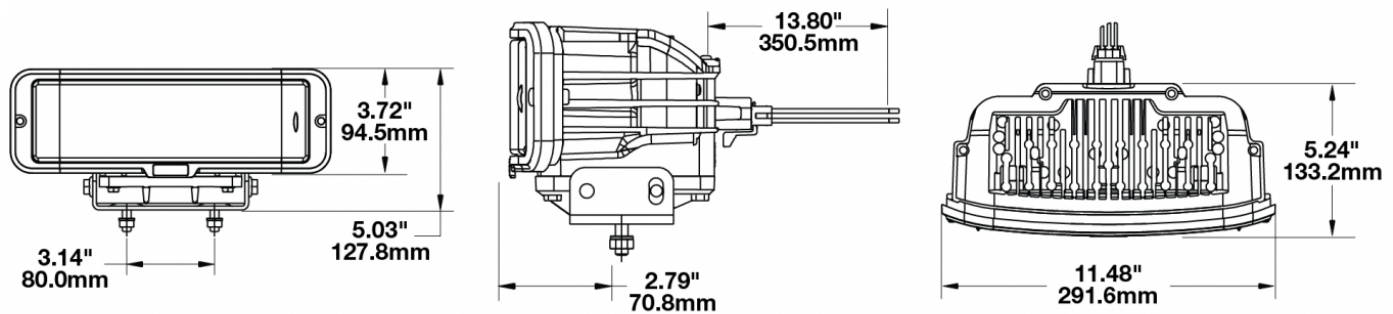
Print date: 2018-06-18

© 2018 J.W. Speaker Corporation • Germantown, WI U.S.A.
www.jwspeaker.com • speaker@jwspeaker.com • 262.251.6660

J.W. SPEAKER
Engineered. Lighting. Solutions.

LED Headlight - Model 9800

PRODUCT DIMENSIONS



ELECTRICAL SPECIFICATIONS

| | |
|--------------------------|---|
| Input Voltage | 12V DC |
| Operating Voltage | 10-15V DC |
| Red Wire | Front Position |
| Black Wire | Ground |
| White Wire | High Beam |
| Yellow Wire | Turn |
| Blue Wire | Non-Functioning |
| Orange Wire | Low Beam |
| Current Draw | 2.70A @ 12V DC (Low Beam) 3.40A @ 12V DC (High Beam) 0.85A @ 12V DC (Turn Signal) 0.04A @ 12V DC (DRL) |

Print date: 2018-06-18

© 2018 J.W. Speaker Corporation • Germantown, WI U.S.A.
www.jwspeaker.com • speaker@jwspeaker.com • 262.251.6660

LED Headlight - Model 9800

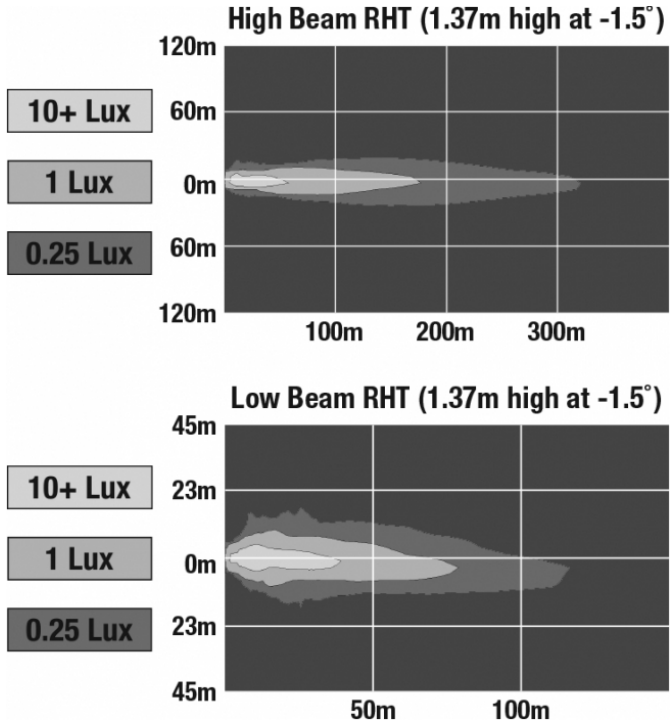
REGULATORY STANDARDS COMPLIANCE



| | |
|-----------------------|-----------------------|
| Buy America Standards | Eco Friendly |
| FMVSS 108 Table VI | FMVSS 108 Table XIV |
| FMVSS 108 Table XIX | FMVSS 108 Table XVIII |

PHOTOMETRIC SPECIFICATIONS

| | |
|--------------------------------------|-------------------------------------|
| Raw Lumen Output | 2,880 (High Beam); 2,160 (Low Beam) |
| Effective Lumen Output | 1,150 (High Beam); 800 (Low Beam) |
| Candela Output | 52,000 |
| Nominal LED Color Temperature | 5000 K |



Print date: 2018-06-18

© 2018 J.W. Speaker Corporation • Germantown, WI U.S.A.
www.jwspeaker.com • speaker@jwspeaker.com • 262.251.6660



LED Headlight - Model 9800

APPLICATIONS



ADDITIONAL INFORMATION

J.W. Speaker's Model 9800 is best suited for normal snow plowing, not "high speed" plowing on highways. Consult with your J.W. Speaker salesperson for more information.

The Model 9800 is not designed to be a plug and play for Boss snow plows. If you have a Boss snow plow please see your local Boss dealer for information on the right product to use.

Lamp design integrates acceptance of mating connector Delphi #1205848

SMARTHEAT™ HEATING SYSTEM

The SmartHeat™ heating system senses ambient temperature and turns the integrated heating system in the lens on & off. This system actually clears ice & snow twice as fast as conventional halogen lamps.

When does the heater turn on?

Heater turns on or off according to temperature changes and vehicle power:

- Heater will turn on when temperatures drop, generating enough heat to prevent ice build-up.
- Heater will turn on when powering up, de-icing the light as rapidly as possible.

When does the heater turn off?

Heater will turn off when it senses temperatures increase and are above the high temperature threshold.

Learn more about this technology [here](#).

See Additional Information on page 1 for heated wire installation

Print date: 2018-06-18

© 2018 J.W. Speaker Corporation • Germantown, WI U.S.A.
www.jwspeaker.com • speaker@jwspeaker.com • 262.251.6660

J.W. SPEAKER®
Engineered. Lighting. Solutions.

LED Headlight - Model 9800

RELATED PRODUCTS



Part Number
0550061
12-24V DOT LED Non-Heated Headlight - 2 Light Kit



Part Number
0550161
12-24V ECE LED RHT Non-Heated Headlight - 2 Light Kit



Part Number
0550171
12-24V ECE LED LHT Non-Heated Headlight - 2 Light Kit



Part Number
0551803
24V DOT LED Heated Headlight - 2 Light Kit



Part Number
0551833
24V ECE LED RHT Heated Headlight - 2 Light Kit



Part Number
0551863
24V ECE LED LHT Heated Headlight - 2 Light Kit



Part Number
0552423
12V ECE LED RHT Heated Headlight - 2 Light Kit



Part Number
0552433
12V ECE LED LHT Heated Headlight - 2 Light Kit