

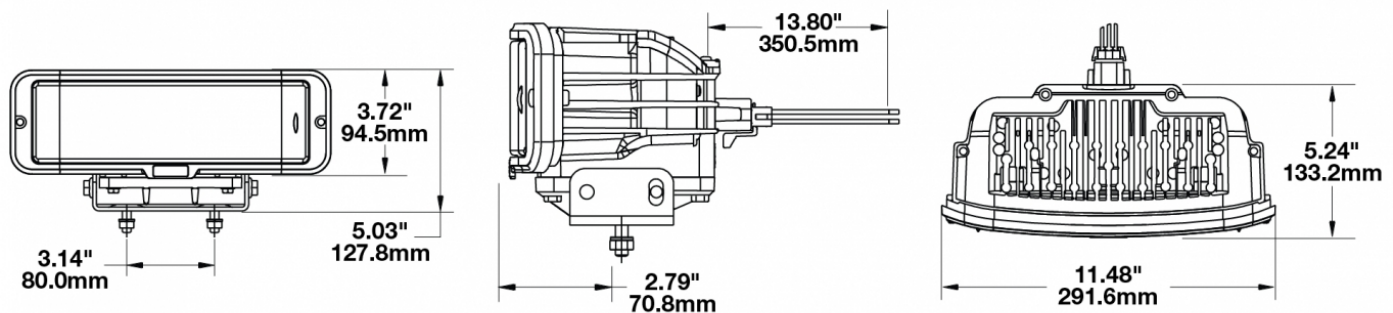
# LED Headlight - Model 9800

## PRODUCT INFORMATION

<b>Description</b>	24V ECE LED LHT Heated Headlight - 2 Light Kit
<b>Height</b>	94.53 mm / 3.72 in
<b>Width</b>	291.58 mm / 11.48 in
<b>Depth</b>	133.17 mm / 5.24 in
<b>Shape</b>	Rectangular
<b>Outer Lens Material</b>	Polycarbonate
<b>Outer Lens Color</b>	Clear
<b>Housing Material</b>	Xenoy
<b>Housing Color</b>	Black
<b>Bezel Color</b>	Black
<b>Mounting Hardware Description</b>	(x8) M8 - 1.25-80 mm x 25 mm SS Carriage Bolt
<b>Mounting Type</b>	Universal Pedestal Mount
<b>Mating Connector</b>	Delphi (#12052848)



## PRODUCT DIMENSIONS



Print date: 2017-10-22

© 2017 J.W. Speaker Corporation • Germantown, WI U.S.A.  
 www.jwspeaker.com • speaker@jwspeaker.com • 262.251.6660

**J.W. SPEAKER**  
 Engineered. Lighting. Solutions.

# LED Headlight - Model 9800

## ELECTRICAL SPECIFICATIONS

---

<b>Input Voltage</b>	24V DC
<b>Operating Voltage</b>	20-32V DC
<b>Red Wire</b>	Front Position
<b>Black Wire</b>	Ground
<b>White Wire</b>	High Beam
<b>Yellow Wire</b>	Turn
<b>Blue Wire</b>	DRL
<b>Orange Wire</b>	Low Beam
<b>Current Draw</b>	1.40A @ 24V DC (Low Beam) 2.00A @ 24V DC (High Beam) 0.30A @ 24V DC (Turn Signal) 0.05A @ 24V DC (Front Position / DRL) 1.00A @ 24V DC (Lens Heater)

## REGULATORY STANDARDS COMPLIANCE

---



Buy America Standards	ECE Reg 112
ECE Reg 6	ECE Reg 7
ECE Reg 87	Eco Friendly
IEC IP67	

Print date: 2017-10-22

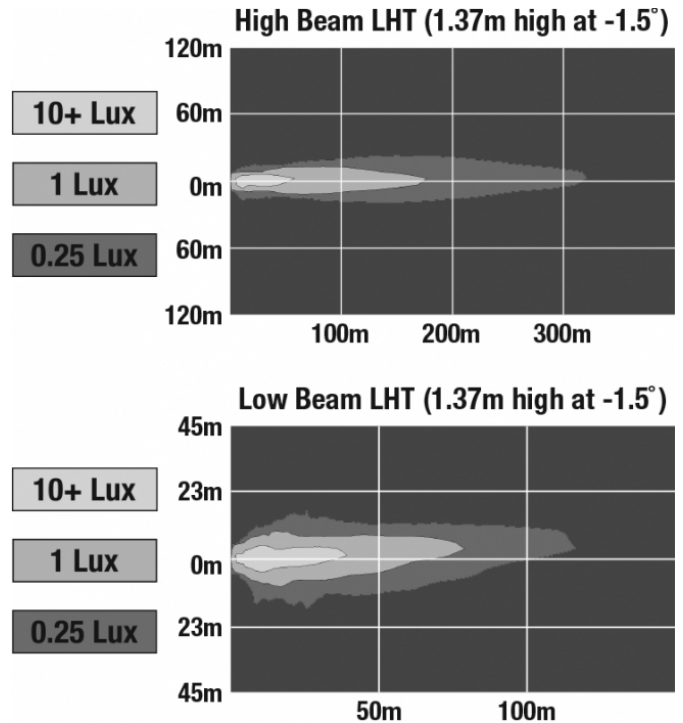
© 2017 J.W. Speaker Corporation • Germantown, WI U.S.A.  
www.jwspeaker.com • speaker@jwspeaker.com • 262.251.6660

**J.W. SPEAKER**   
Engineered. Lighting. Solutions.

# LED Headlight - Model 9800

## PHOTOMETRIC SPECIFICATIONS

<b>Raw Lumen Output</b>	2,880 (High Beam); 2,160 (Low Beam)
<b>Effective Lumen Output</b>	1,150 (High Beam); 800 (Low Beam)
<b>Candela Output</b>	52,000
<b>Nominal LED Color Temperature</b>	5000 K
<b>Beam Pattern(s)</b>	Forward Lighting - High Beam (ECE) Forward Lighting - Low Beam (ECE Left Hand) Signalization - Turn (Front)



## APPLICATIONS



## ADDITIONAL INFORMATION

J.W. Speaker's Model 9800 is best suited for normal snow plowing, not "high speed" plowing on highways. Consult with your J.W. Speaker salesperson for more information.

The Model 9800 is not designed to be a plug and play for Boss snow plows. If you have a Boss snow plow please see your local Boss dealer for information on the right product to use.

Lamp design integrates acceptance of mating connector Delphi #1205848

Print date: 2017-10-22

© 2017 J.W. Speaker Corporation • Germantown, WI U.S.A.  
www.jwspeaker.com • speaker@jwspeaker.com • 262.251.6660



# LED Headlight - Model 9800

## RELATED PRODUCTS

---



**Part Number**  
**0550061**  
12-24V DOT LED Non-Heated Headlight - 2 Light Kit



**Part Number**  
**0550161**  
12-24V ECE LED RHT Non-Heated Headlight - 2 Light Kit



**Part Number**  
**0550171**  
12-24V ECE LED LHT Non-Heated Headlight - 2 Light Kit



**Part Number**  
**0551803**  
24V DOT LED Heated Headlight - 2 Light Kit



**Part Number**  
**0551833**  
24V ECE LED RHT Heated Headlight - 2 Light Kit



**Part Number**  
**0552243**  
12V DOT LED Heated Headlight - 2 Light Kit



**Part Number**  
**0552423**  
12V ECE LED RHT Heated Headlight - 2 Light Kit



**Part Number**  
**0552433**  
12V ECE LED LHT Heated Headlight - 2 Light Kit