

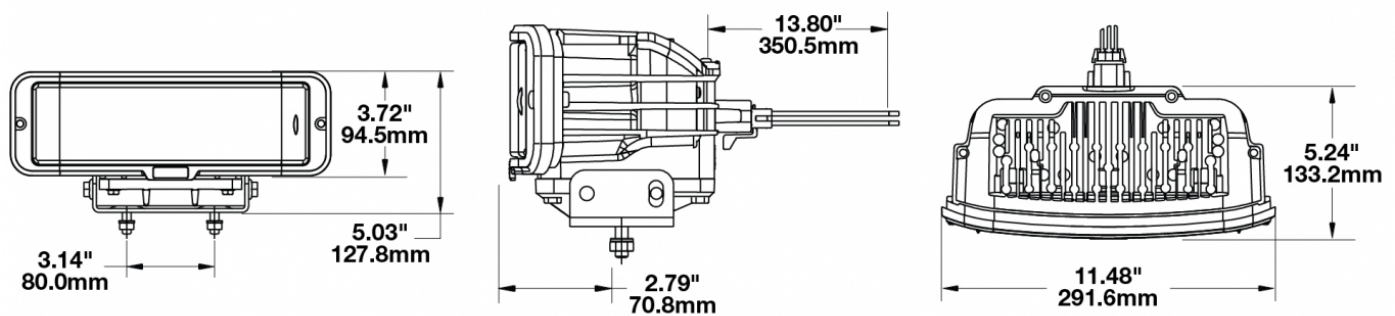
# LED Headlight - Model 9800

## PRODUCT INFORMATION

<b>Description</b>	12-24V DOT LED Non-Heated Headlight - 2 Light Kit
<b>Height</b>	94.53 mm / 3.72 in
<b>Width</b>	291.58 mm / 11.48 in
<b>Depth</b>	133.17 mm / 5.24 in
<b>Shape</b>	Rectangular
<b>Outer Lens Material</b>	Polycarbonate
<b>Outer Lens Color</b>	Clear
<b>Housing Material</b>	Xenoy
<b>Housing Color</b>	Black
<b>Bezel Color</b>	Black
<b>Mounting Hardware Description</b>	(x4) M8 - 1.25-80 mm x 25 mm SS Carriage Bolt
<b>Mounting Type</b>	Universal Pedestal Mount
<b>Mating Connector</b>	Delphi (#12052848)
<b>Product Weight</b>	0.00 lbs / 0 kgs
<b>Shipping Weight</b>	8.09 lbs / 3.67 kgs



## PRODUCT DIMENSIONS



Print date: 2019-01-22

© 2019 J.W. Speaker Corporation • Germantown, WI U.S.A.  
www.jwspeaker.com • speaker@jwspeaker.com • 262.251.6660

**J.W. SPEAKER**  
Engineered. Lighting. Solutions.

# LED Headlight - Model 9800

## ELECTRICAL SPECIFICATIONS

<b>Input Voltage</b>	12-24V DC
<b>Operating Voltage</b>	10-32V DC
<b>Red Wire</b>	Front Position
<b>Black Wire</b>	Ground
<b>White Wire</b>	High Beam
<b>Yellow Wire</b>	Turn
<b>Blue Wire</b>	Non-Functioning
<b>Orange Wire</b>	Low Beam
<b>Current Draw</b>	2.70A @ 12V DC (Low Beam) 3.40A @ 12V DC (High Beam) 0.85A @ 12V DC (Turn Signal) 0.04A @ 12V DC (DRL) 1.20A @ 24V DC (Low Beam) 1.60A @ 24V DC (High Beam) 0.27A @ 24V DC (Turn Signal) 0.03A @ 24V DC (DRL)

## REGULATORY STANDARDS COMPLIANCE



Buy America Standards  
FMVSS 108 Table VI  
FMVSS 108 Table XIX  
IEC IP67

Eco Friendly  
FMVSS 108 Table XIV  
FMVSS 108 Table XVIII

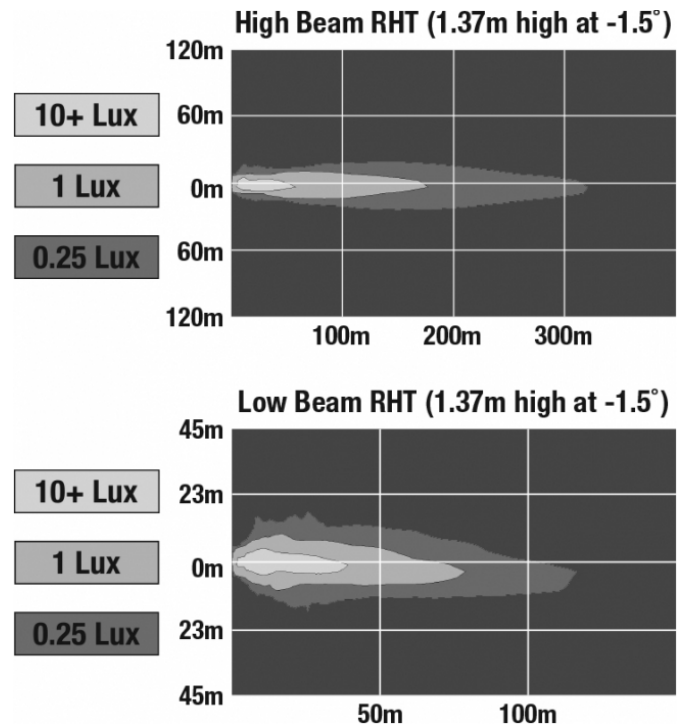
Print date: 2019-01-22

© 2019 J.W. Speaker Corporation • Germantown, WI U.S.A.  
www.jwspeaker.com • speaker@jwspeaker.com • 262.251.6660

# LED Headlight - Model 9800

## PHOTOMETRIC SPECIFICATIONS

<b>Raw Lumen Output</b>	2,880 (High Beam); 2,160 (Low Beam)
<b>Effective Lumen Output</b>	1,150 (High Beam); 800 (Low Beam)
<b>Candela Output</b>	52,000 (High Beam)
<b>Nominal LED Color Temperature</b>	5000 K
<b>Beam Pattern(s)</b>	Forward Lighting - High Beam (DOT/ECE) Forward Lighting - Low Beam (DOT) Signalization - Turn (Front)



## APPLICATIONS



## ADDITIONAL INFORMATION

J.W. Speaker's Model 9800 is best suited for normal snow plowing, not "high speed" plowing on highways. Consult with your J.W. Speaker salesperson for more information.

The Model 9800 is not designed to be a plug and play for Boss snow plows. If you have a Boss snow plow please see your local Boss dealer for information on the right product to use.

Lamp design integrates acceptance of mating connector Delphi #1205848

Print date: 2019-01-22

© 2019 J.W. Speaker Corporation • Germantown, WI U.S.A.  
www.jwspeaker.com • speaker@jwspeaker.com • 262.251.6660

**J.W. SPEAKER**  
Engineered. Lighting. Solutions.

# LED Headlight - Model 9800

## RELATED PRODUCTS

---



**Part Number**  
**0550161**

12-24V ECE LED RHT  
Non-Heated Headlight  
- 2 Light Kit



**Part Number**  
**0550171**

12-24V ECE LED LHT  
Non-Heated Headlight  
- 2 Light Kit



**Part Number**  
**0551803**

24V DOT LED Heated  
Headlight - 2 Light Kit



**Part Number**  
**0551833**

24V ECE LED RHT  
Heated Headlight - 2  
Light Kit



**Part Number**  
**0551863**

24V ECE LED LHT  
Heated Headlight - 2  
Light Kit



**Part Number**  
**0552243**

12V DOT LED Heated  
Headlight - 2 Light Kit



**Part Number**  
**0552423**

12V ECE LED RHT  
Heated Headlight - 2  
Light Kit



**Part Number**  
**0552433**

12V ECE LED LHT  
Heated Headlight - 2  
Light Kit