

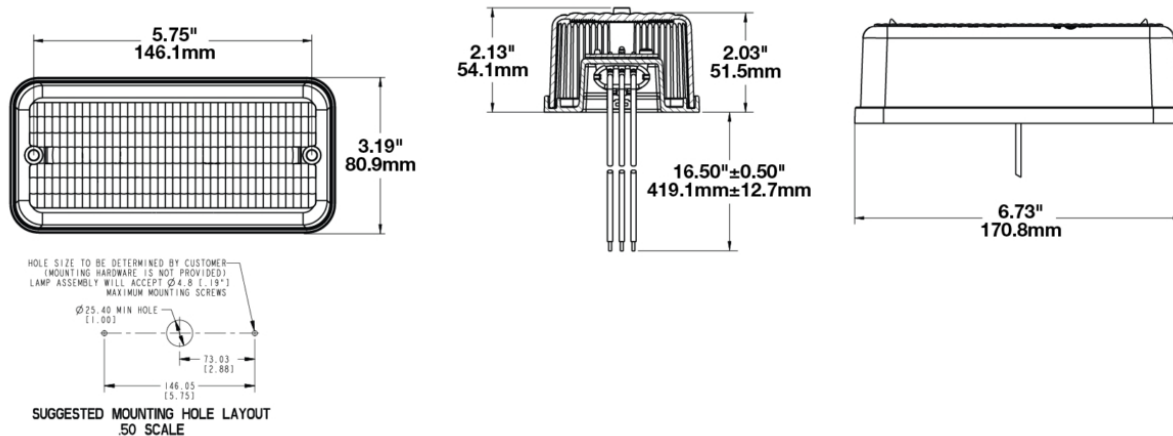
Replacement Red Acrylic Lens for Model 270 Signal Light

PRODUCT INFORMATION

Description	Replacement Red Acrylic Lens for Model 270 Signal Light
Height	81.03 mm / 3.19 in
Width	170.94 mm / 6.73 in
Depth	51.56 mm / 2.03 in
Outer Lens Color	Red
Product Weight	0.23 lbs / 0.1 kgs



PRODUCT DIMENSIONS



Print date: 2019-02-16

© 2019 J.W. Speaker Corporation • Germantown, WI U.S.A.
www.jwspeaker.com • speaker@jwspeaker.com • 262.251.6660

Replacement Red Acrylic Lens for Model 270 Signal Light

REGULATORY STANDARDS COMPLIANCE



Buy America Standards

APPLICATIONS



SUITS THESE PRODUCTS



7" x 3" LED Signal Lamps

LED Signal Lights -
Model 270

Print date: 2019-02-16

© 2019 J.W. Speaker Corporation • Germantown, WI U.S.A.
www.jwspeaker.com • speaker@jwspeaker.com • 262.251.6660