

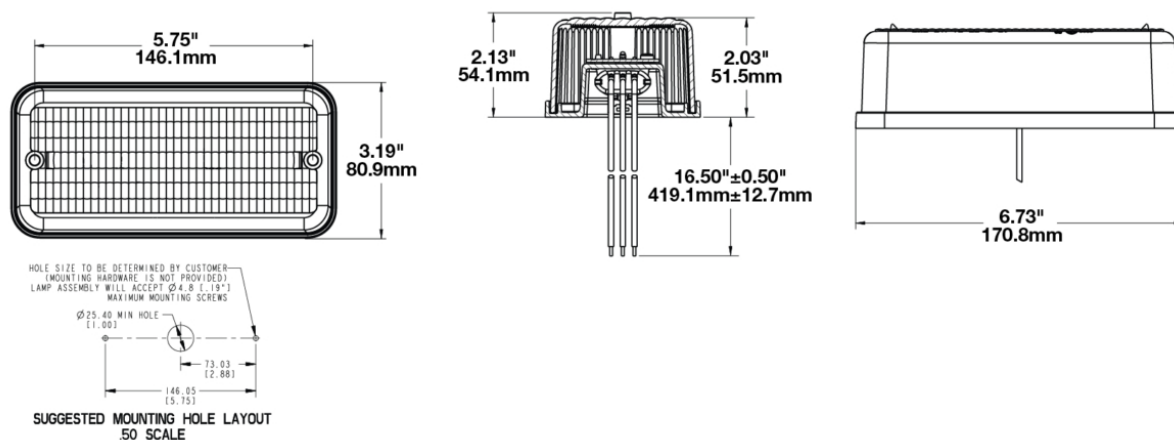
LED Signal Lights - Model 270

PRODUCT INFORMATION

Description	12V ECE/SAE LED Stop & Tail Light
Height	81.03 mm / 3.19 in
Width	170.94 mm / 6.73 in
Depth	51.56 mm / 2.03 in
Shape	Rectangular
Outer Lens Material	Acrylic
Outer Lens Color	Red
Housing Material	ABS
Housing Color	Black
Mounting Type	Low Profile Mount
Minimum Operating Temperature	-40 °C / -40 °F
Maximum Operating Temperature	65 °C / 149 °F
Connector or Wiring	16" Bare Leads
Product Weight	0.48 lbs / 0.22 kgs
Shipping Weight	4.75 lbs / 2.15 kgs



PRODUCT DIMENSIONS



Print date: 2018-10-22

© 2018 J.W. Speaker Corporation • Germantown, WI U.S.A.
www.jwspeaker.com • speaker@jwspeaker.com • 262.251.6660

J.W. SPEAKER
Engineered. Lighting. Solutions.

LED Signal Lights - Model 270

ELECTRICAL SPECIFICATIONS

Input Voltage	12V DC
White Wire	Tail
Red Wire	Stop
Black Wire	Ground
Current Draw	0.070A @ 12V DC (Stop) 0.007A @ 12V DC (Tail)

REGULATORY STANDARDS COMPLIANCE



Buy America Standards	ECE Reg 7
Eco Friendly	FMVSS 108 Table IX
FMVSS 108 Table VII	FMVSS 108 Table VIII
IEC IP67	SAE J1889
SAE J2040	SAE J2139
SAE J2261	SAE J575
SAE J585	SAE J586
SAE J588	

PHOTOMETRIC SPECIFICATIONS

Beam Pattern(s)	Signalization - Stop Signalization - Tail
------------------------	--

Print date: 2018-10-22

© 2018 J.W. Speaker Corporation • Germantown, WI U.S.A.
www.jwspeaker.com • speaker@jwspeaker.com • 262.251.6660

LED Signal Lights - Model 270

APPLICATIONS



ACCESSORIES



Part Number
4401771

Replacement Amber
Acrylic Lens for Model
270 Signal Light



Part Number
4420511

Replacement Red
Acrylic Lens for Model
270 Signal Light

RELATED PRODUCTS



Part Number
0341341

12V ECE/SAE LED Turn
Signal Light

Print date: 2018-10-22

© 2018 J.W. Speaker Corporation • Germantown, WI U.S.A.
www.jwspeaker.com • speaker@jwspeaker.com • 262.251.6660