

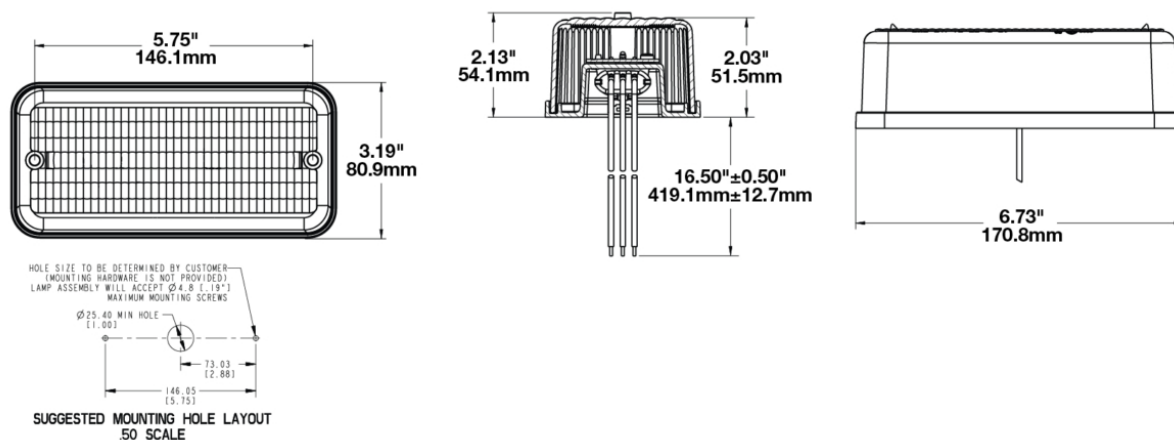
# LED Signal Lights - Model 270

## PRODUCT INFORMATION

<b>Description</b>	12V ECE/SAE LED Turn Signal Light
<b>Height</b>	81.03 mm / 3.19 in
<b>Width</b>	170.94 mm / 6.73 in
<b>Depth</b>	51.56 mm / 2.03 in
<b>Shape</b>	Rectangular
<b>Outer Lens Material</b>	Acrylic
<b>Outer Lens Color</b>	Amber
<b>Housing Material</b>	ABS
<b>Housing Color</b>	Black
<b>Mounting Type</b>	Low Profile Mount
<b>Minimum Operating Temperature</b>	-40 °C / -40 °F
<b>Maximum Operating Temperature</b>	65 °C / 149 °F
<b>Connector or Wiring</b>	6" Bare Leads
<b>Product Weight</b>	0.47 lbs / 0.21 kgs
<b>Shipping Weight</b>	1.80 lbs / 0.82 kgs



## PRODUCT DIMENSIONS



Print date: 2019-01-23

© 2019 J.W. Speaker Corporation • Germantown, WI U.S.A.  
www.jwspeaker.com • speaker@jwspeaker.com • 262.251.6660

**J.W. SPEAKER**  
Engineered. Lighting. Solutions.

# LED Signal Lights - Model 270

## ELECTRICAL SPECIFICATIONS

<b>Input Voltage</b>	12V DC
<b>Black Wire</b>	Ground
<b>Red Wire</b>	Turn
<b>Current Draw</b>	0.5A @ 12V DC

## REGULATORY STANDARDS COMPLIANCE



Buy America Standards	ECE Reg 6
Eco Friendly	FMVSS 108 Table VI
FMVSS 108 Table VII	IEC IP67
SAE J1889	SAE J588
SAE J914	SAE J974

## PHOTOMETRIC SPECIFICATIONS

<b>Beam Pattern(s)</b>	Signalization - Turn (Front)
	Signalization - Turn (Rear)

## APPLICATIONS



Print date: 2019-01-23

© 2019 J.W. Speaker Corporation • Germantown, WI U.S.A.  
[www.jwspeaker.com](http://www.jwspeaker.com) • [speaker@jwspeaker.com](mailto:speaker@jwspeaker.com) • 262.251.6660

**J.W. SPEAKER**  
 Engineered. Lighting. Solutions.

# LED Signal Lights - Model 270

## ACCESSORIES

---



**Part Number**  
**4401771**  
Replacement Amber  
Acrylic Lens for Model  
270 Signal Light



**Part Number**  
**4420511**  
Replacement Red  
Acrylic Lens for Model  
270 Signal Light

## RELATED PRODUCTS

---



**Part Number**  
**0341361**  
12V ECE/SAE LED Stop  
& Tail Light