

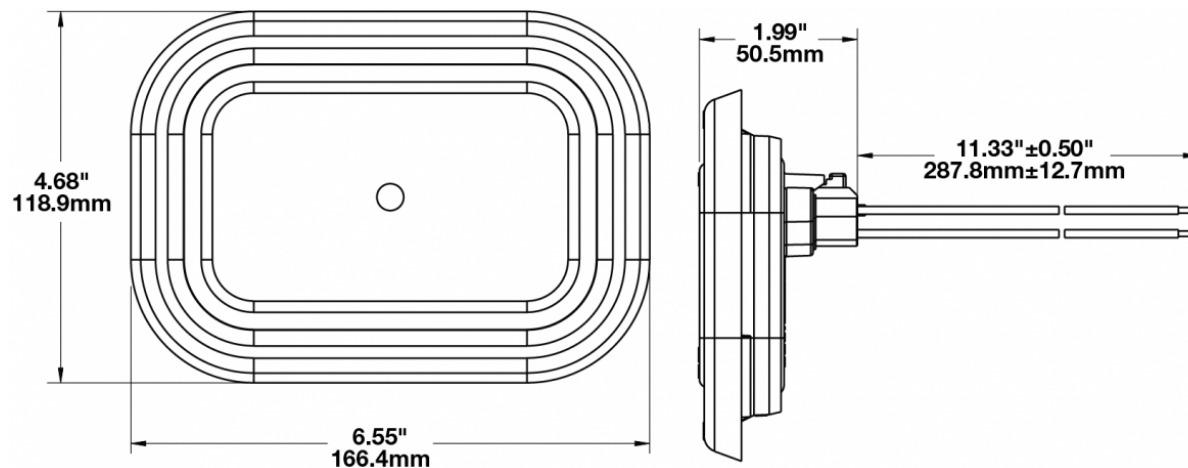
# LED Signal Lights - Model 245

## PRODUCT INFORMATION

<b>Description</b>	12-24V ECE/SAE LED Turn Signal Light
<b>Height</b>	118.87 mm / 4.68 in
<b>Width</b>	166.37 mm / 6.55 in
<b>Depth</b>	50.55 mm / 1.99 in
<b>Shape</b>	Rectangular
<b>Outer Lens Material</b>	Acrylic
<b>Outer Lens Color</b>	Amber
<b>Housing Material</b>	ABS
<b>Housing Color</b>	Black
<b>Mounting Type</b>	Low Profile Mount
<b>Minimum Operating Temperature</b>	-40 °C / -40 °F
<b>Maximum Operating Temperature</b>	65 °C / 149 °F
<b>Connector or Wiring</b>	Integrated 3-Pin Deutsch Weather-Proof Socket (DT04-3P)
<b>Mating Connector</b>	3-Pin Deutsch Weather-Proof Plug (DT06-3S)
<b>Product Weight</b>	0.25 lbs / 0.11 kgs
<b>Shipping Weight</b>	1.80 lbs / 0.82 kgs



## PRODUCT DIMENSIONS



Print date: 2026-06-19

© 2026 J.W. Speaker Corporation • Germantown, WI U.S.A.  
 www.jwspeaker.com • speaker@jwspeaker.com • 262.251.6660

**J.W. SPEAKER**  
 Engineered. Lighting. Solutions.

# LED Signal Lights - Model 245

## ELECTRICAL SPECIFICATIONS

<b>Input Voltage</b>	12-24V DC
<b>Black Wire</b>	Ground
<b>Red Wire</b>	Turn
<b>Current Draw</b>	0.35A @ 12V DC 0.125A @ 24V DC

## REGULATORY STANDARDS COMPLIANCE



Buy America Standards	ECE Reg 6
Eco Friendly	FMVSS 108 s7.1 (Table VII)
SAE J575	SAE J588

## PHOTOMETRIC SPECIFICATIONS

<b>Beam Pattern(s)</b>	Signalization - Turn (Front) Signalization - Turn (Rear)
------------------------	---

## APPLICATIONS



Print date: 2026-06-19

© 2026 J.W. Speaker Corporation • Germantown, WI U.S.A.  
www.jwspeaker.com • speaker@jwspeaker.com • 262.251.6660

**J.W. SPEAKER**  
Engineered. Lighting. Solutions.

# LED Signal Lights - Model 245

## PRODUCT WARNINGS

---

For California residents:

⚠ **WARNING:** Cancer and reproductive harm - [www.P65Warnings.ca.gov](http://www.P65Warnings.ca.gov).

⚠ **AVERTISSEMENT:** Cancer et effet nocif sur la reproduction - [www.P65Warnings.ca.gov](http://www.P65Warnings.ca.gov).

## RELATED PRODUCTS

---



**Part Number**  
**0343911**  
12-24V ECE/SAE LED  
Stop & Tail Light



**Part Number**  
**0443081**  
12-24V ECE/SAE LED  
Backup Light