

LED Signal Lights - Model 245

PRODUCT INFORMATION

Description	12-24V ECE/SAE LED Stop & Tail Light
Height	118.87 mm / 4.68 in
Width	166.37 mm / 6.55 in
Depth	50.55 mm / 1.99 in
Shape	Rectangular
Outer Lens Material	Acrylic
Outer Lens Color	Red
Housing Material	ABS
Housing Color	Black
Mounting Type	Low Profile Mount
Minimum Operating Temperature	-40 °C / -40 °F
Maximum Operating Temperature	65 °C / 149 °F
Connector or Wiring	Integrated 3-Pin Deutsch Weather-Proof Socket (DT04-3P)
Mating Connector	3-Pin Deutsch Weather-Proof Plug (DT06-3S)
Product Weight	0.00 lbs / 0 kgs
Shipping Weight	1.80 lbs / 0.82 kgs

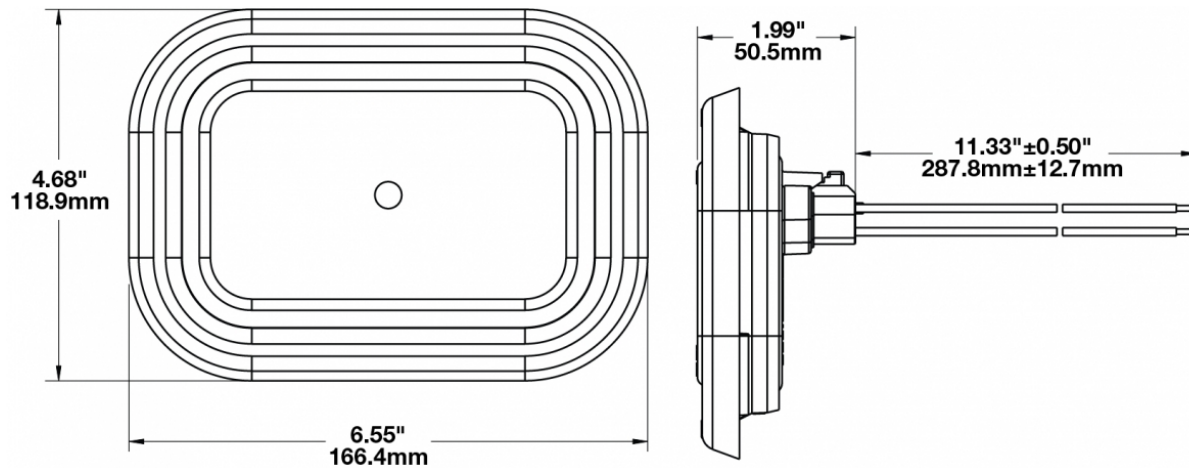


Print date: 2019-02-21

© 2019 J.W. Speaker Corporation • Germantown, WI U.S.A.
www.jwspeaker.com • speaker@jwspeaker.com • 262.251.6660

LED Signal Lights - Model 245

PRODUCT DIMENSIONS



ELECTRICAL SPECIFICATIONS

Input Voltage	12-24V DC
Red Wire	Tail
Black Wire	Ground
Brown Wire	Stop/Turn
Current Draw	0.167A @ 12V DC (Stop) 0.097A @ 24V DC (Stop) 0.010A @ 12V DC (Tail) 0.030 A @ 24V DC (Tail)

Print date: 2019-02-21

© 2019 J.W. Speaker Corporation • Germantown, WI U.S.A.
www.jwspeaker.com • speaker@jwspeaker.com • 262.251.6660

LED Signal Lights - Model 245

REGULATORY STANDARDS COMPLIANCE



Buy America Standards	ECE Reg 7
Eco Friendly	FMVSS 108 Table IX
FMVSS 108 Table VIII	SAE J575
SAE J585	SAE J586

PHOTOMETRIC SPECIFICATIONS

Beam Pattern(s) Signalization - Stop
 Signalization - Tail

APPLICATIONS



Print date: 2019-02-21

© 2019 J.W. Speaker Corporation • Germantown, WI U.S.A.
www.jwspeaker.com • speaker@jwspeaker.com • 262.251.6660



LED Signal Lights - Model 245

RELATED PRODUCTS



Part Number
0343921
12-24V ECE/SAE LED
Turn Signal Light



Part Number
0443081
12-24V ECE/SAE LED
Backup Light