

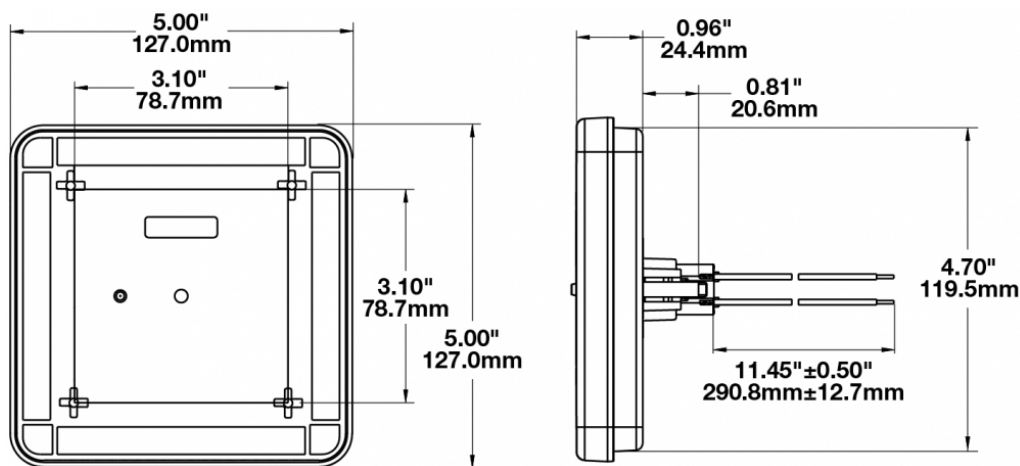
LED Signal Lights - Model 224

PRODUCT INFORMATION

Description	12-24V ECE LED Rear Fog Light with Harness
Height	127.00 mm / 5 in
Width	127.00 mm / 5 in
Depth	44.96 mm / 1.77 in
Shape	Square
Outer Lens Material	Acrylic
Outer Lens Color	Red
Housing Material	ABS
Housing Color	Black
Mounting Hardware Description	(x2) M6-1 x 25 Mounting Bolts
Mounting Type	Low Profile Mount
Minimum Operating Temperature	-40 °C / -40 °F
Maximum Operating Temperature	65 °C / 149 °F
Mating Connector	4-Pin Deutsch Plug (DT06-4S)
Product Weight	0.46 lbs / 0.21 kgs
Shipping Weight	4.00 lbs / 1.81 kgs



PRODUCT DIMENSIONS



Print date: 2019-02-16

© 2019 J.W. Speaker Corporation • Germantown, WI U.S.A.
 www.jwspeaker.com • speaker@jwspeaker.com • 262.251.6660

J.W. SPEAKER
 Engineered. Lighting. Solutions.

LED Signal Lights - Model 224

ELECTRICAL SPECIFICATIONS

Input Voltage	12-24V DC
Red Wire	Positive
Black Wire	Negative
Current Draw	0.338A @ 12V DC 0.156A @ 24V DC

REGULATORY STANDARDS COMPLIANCE



ASABE S279
ECE Reg 38
IEC IP67

Buy America Standards
Eco Friendly

PHOTOMETRIC SPECIFICATIONS

Beam Pattern(s) Signalization - Marker

APPLICATIONS



Print date: 2019-02-16

© 2019 J.W. Speaker Corporation • Germantown, WI U.S.A.
www.jwspeaker.com • speaker@jwspeaker.com • 262.251.6660

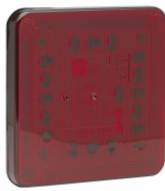
J.W. SPEAKER®
Engineered. Lighting. Solutions.

LED Signal Lights - Model 224

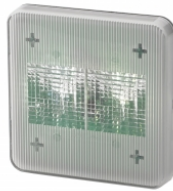
RELATED PRODUCTS



Part Number
0342291
12-24V ECE/SAE LED
Turn Signal Light



Part Number
0342301
12-24V ECE/SAE LED
Stop & Tail Light



Part Number
0442611
12-24V ECE/SAE LED
Backup Light with
Harness