

LED Square Signal Lights and Tail Lights -

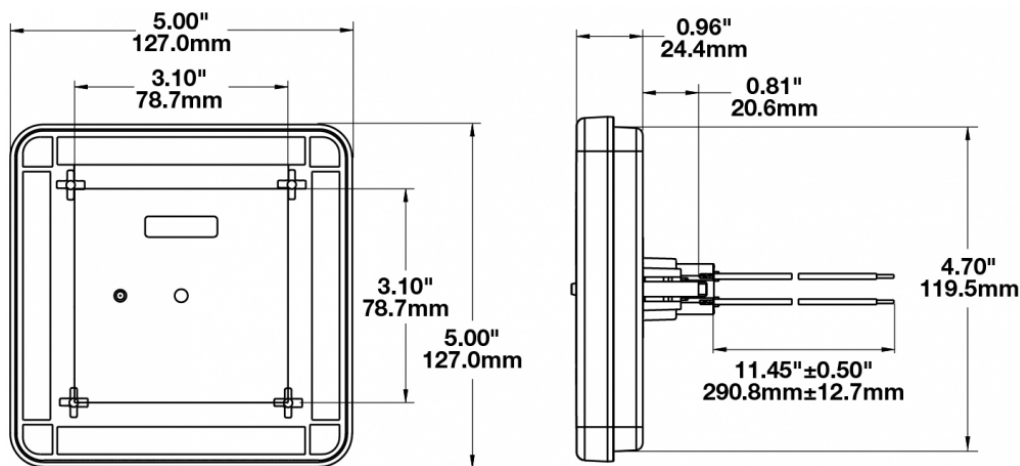
Model 224

PRODUCT INFORMATION

Description	12-24V ECE/SAE LED Stop & Tail Light
Height	127.00 mm / 5 in
Width	127.00 mm / 5 in
Depth	44.96 mm / 1.77 in
Shape	Square
Outer Lens Material	Acrylic
Outer Lens Color	Red
Housing Material	ABS
Housing Color	Black
Mounting Hardware Description	(x2) M6-1 x 25 Mounting Bolts
Mounting Type	Low Profile Mount
Minimum Operating Temperature	-40 °C / -40 °F
Maximum Operating Temperature	65 °C / 149 °F
Mating Connector	4-Pin Deutsch Plug (DT06-4S)
Product Weight	0.46 lbs / 0.21 kgs
Shipping Weight	0.46 lbs / 0.21 kgs



PRODUCT DIMENSIONS



Print date: 2023-09-27

© 2023 J.W. Speaker Corporation • Germantown, WI U.S.A.
www.jwspeaker.com • speaker@jwspeaker.com • 262.251.6660

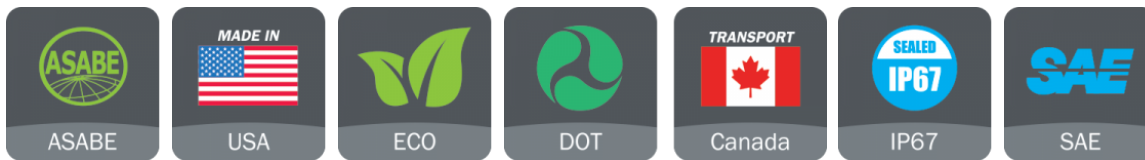
LED Square Signal Lights and Tail Lights -

Model 224

ELECTRICAL SPECIFICATIONS

Input Voltage	12-24V DC
Black Wire	Ground
Red Wire	Stop
White Wire	Tail
Current Draw	0.190A @ 12V DC (Stop) 0.030A @ 12V DC (Tail)

REGULATORY STANDARDS COMPLIANCE



ASABE S279	Buy America Standards
Eco Friendly	FMVSS 108 s7.2 (Table VIII)
FMVSS 108 s7.3 (Table IX)	FMVSS 108 s8.1 (Table XVI)
IEC IP67	SAE J2040
SAE J585	SAE J586
SAE J594	

PHOTOMETRIC SPECIFICATIONS

Beam Pattern(s)	Signalization - Stop Signalization - Tail
------------------------	----------------------------------------------

APPLICATIONS



Print date: 2023-09-27

© 2023 J.W. Speaker Corporation • Germantown, WI U.S.A.
www.jwspeaker.com • speaker@jwspeaker.com • 262.251.6660

LED Square Signal Lights and Tail Lights -

Model 224

PRODUCT WARNINGS

For California residents:

⚠ **WARNING:** Cancer and reproductive harm - www.P65Warnings.ca.gov.

⚠ **AVERTISSEMENT:** Cancer et effet nocif sur la reproduction - www.P65Warnings.ca.gov.

RELATED PRODUCTS



Part Number

0342291

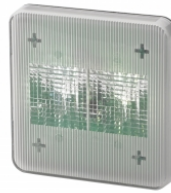
12-24V ECE/SAE LED
Turn Signal Light



Part Number

0342361

12-24V ECE LED Rear
Fog Light with Harness



Part Number

0442611

12-24V ECE/SAE LED
Backup Light with
Harness