

# LED Signal Lights - Model 223

## PRODUCT INFORMATION

<b>Description</b>	12-24V ECE LED Front Position/Front Turn Signal Light
<b>Height</b>	127.00 mm / 5 in
<b>Width</b>	127.00 mm / 5 in
<b>Depth</b>	48.26 mm / 1.9 in
<b>Shape</b>	Square
<b>Outer Lens Material</b>	Acrylic
<b>Outer Lens Color</b>	Amber, Clear
<b>Housing Material</b>	ABS
<b>Housing Color</b>	Black
<b>Mounting Hardware Description</b>	(x2) M6-1 x 25 Mounting Bolts
<b>Mounting Type</b>	Low Profile Mount
<b>Minimum Operating Temperature</b>	-40 °C / -40 °F
<b>Maximum Operating Temperature</b>	65 °C / 149 °F
<b>Connector or Wiring</b>	Integrated 4-Pin Deutsch Socket (DT04-4P)
<b>Mating Connector</b>	4-Pin Deutsch Plug (DT06-4S)
<b>Product Weight</b>	0.46 lbs / 0.21 kgs
<b>Shipping Weight</b>	0.46 lbs / 0.21 kgs



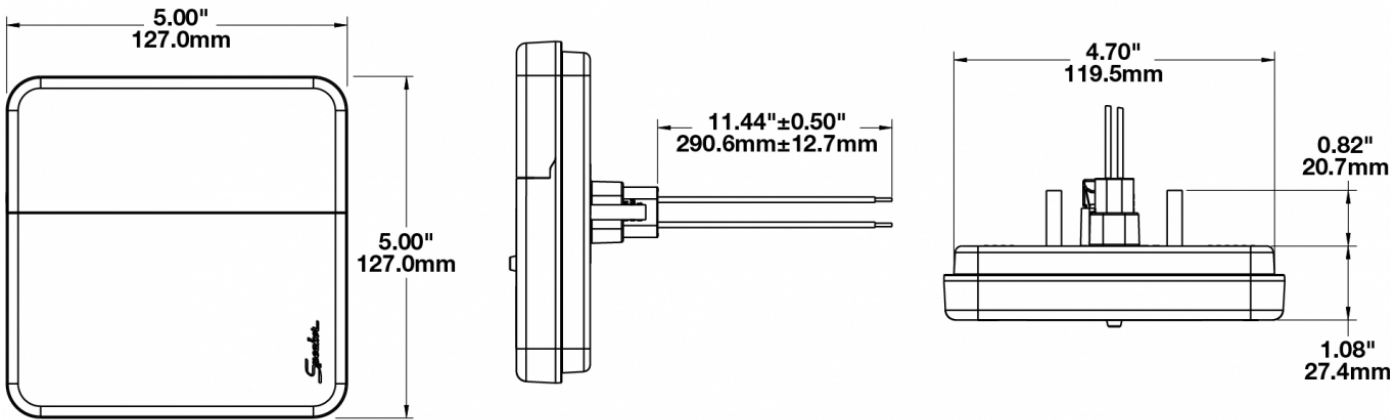
Print date: 2018-04-21

© 2018 J.W. Speaker Corporation • Germantown, WI U.S.A.  
 www.jwspeaker.com • speaker@jwspeaker.com • 262.251.6660

**J.W. SPEAKER**  
 Engineered. Lighting. Solutions.

# LED Signal Lights - Model 223

## PRODUCT DIMENSIONS



## ELECTRICAL SPECIFICATIONS

<b>Input Voltage</b>	12-24V DC
<b>Black Wire</b>	Ground
<b>White Wire</b>	Position
<b>Yellow Wire</b>	Turn
<b>Current Draw</b>	2.250 A @ 12V DC (Turn) 0.250 A @ 12V DC (Front Position)

## REGULATORY STANDARDS COMPLIANCE



Buy America Standards  
ECE Reg 7

ECE Reg 6  
Eco Friendly

Print date: 2018-04-21

© 2018 J.W. Speaker Corporation • Germantown, WI U.S.A.  
www.jwspeaker.com • speaker@jwspeaker.com • 262.251.6660



# LED Signal Lights - Model 223

## PHOTOMETRIC SPECIFICATIONS

---

**Beam Pattern(s)**      Signalization - Front Position  
Signalization - Turn (Front)  
Signalization - Turn (Rear)

## APPLICATIONS

---



## RELATED PRODUCTS

---



**Part Number**  
**0341701**

12-24V ECE LED Stop,  
Tail & Turn Signal Light  
with Harness

---

**Print date: 2018-04-21**

© 2018 J.W. Speaker Corporation • Germantown, WI U.S.A.  
www.jwspeaker.com • speaker@jwspeaker.com • 262.251.6660