

LED Signal Lights - Model 223

PRODUCT INFORMATION

Description	12-24V ECE LED Stop, Tail & Turn Signal Light with Harness
Height	127.00 mm / 5 in
Width	127.00 mm / 5 in
Depth	48.26 mm / 1.9 in
Shape	Square
Outer Lens Material	Acrylic
Outer Lens Color	Amber, Red
Housing Material	ABS
Housing Color	Black
Mounting Hardware Description	(x2) M6-1 x 25 Mounting Bolts
Mounting Type	Low Profile Mount
Minimum Operating Temperature	-40 °C / -40 °F
Maximum Operating Temperature	65 °C / 149 °F
Connector or Wiring	Integrated 4-Pin Deutsch Socket (DT04-4P)
Mating Connector	4-Pin Deutsch Plug (DT06-4S)
Product Weight	0.46 lbs / 0.21 kgs
Shipping Weight	0.90 lbs / 0.41 kgs



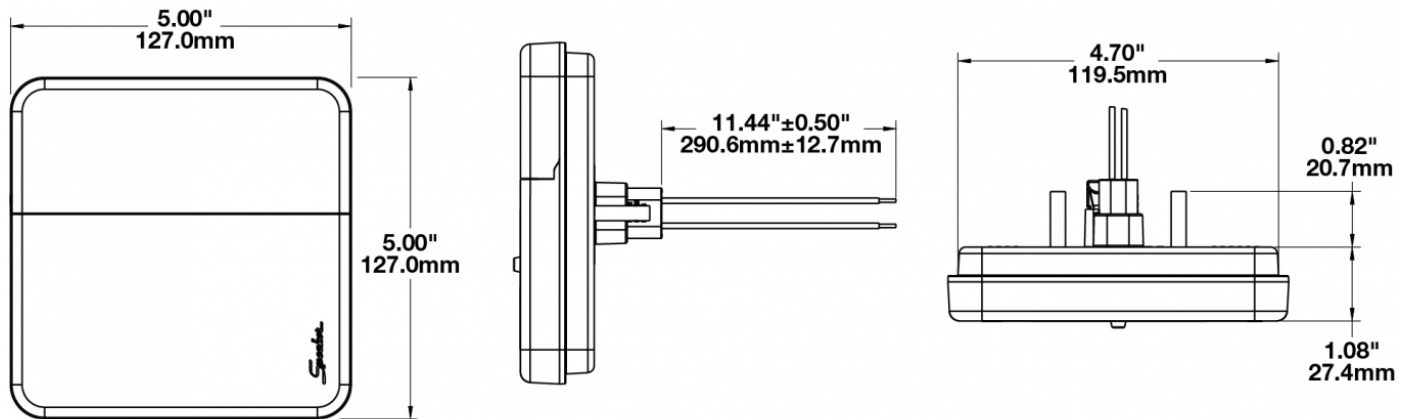
Print date: 2026-05-30

© 2026 J.W. Speaker Corporation • Germantown, WI U.S.A.
 www.jwspeaker.com • speaker@jwspeaker.com • 262.251.6660

J.W. SPEAKER
 Engineered. Lighting. Solutions.

LED Signal Lights - Model 223

PRODUCT DIMENSIONS



ELECTRICAL SPECIFICATIONS

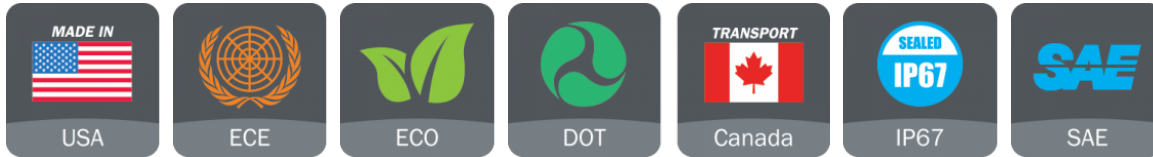
Input Voltage	12-24V DC
Black Wire	Ground
Yellow Wire	Turn
White Wire	Tail
Red Wire	Stop
Current Draw	0.33A @ 12V DC 0.145A @ 24V DC

Print date: 2026-05-30

© 2026 J.W. Speaker Corporation • Germantown, WI U.S.A.
www.jwspeaker.com • speaker@jwspeaker.com • 262.251.6660

LED Signal Lights - Model 223

REGULATORY STANDARDS COMPLIANCE

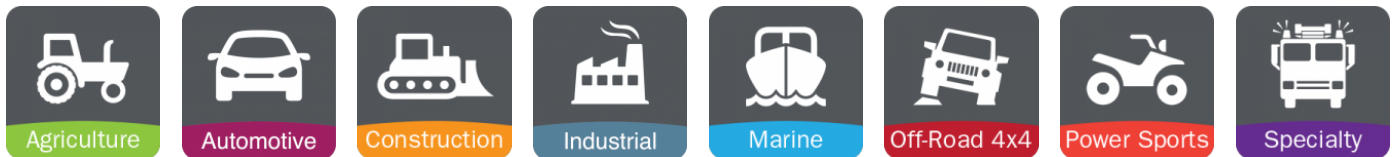


Buy America Standards	ECE Reg 3
ECE Reg 6	ECE Reg 7
Eco Friendly	FMVSS 108 s7.1 (Table VII)
FMVSS 108 s7.2 (Table VIII)	FMVSS 108 s7.3 (Table IX)
FMVSS 108 s8.1 (Table XVI)	IEC IP67
SAE J575	SAE J585
SAE J586	SAE J588
SAE J594	

PHOTOMETRIC SPECIFICATIONS

Beam Pattern(s)	Signalization - Stop
	Signalization - Tail
	Signalization - Turn (Front)
	Signalization - Turn (Rear)

APPLICATIONS



Print date: 2026-05-30

© 2026 J.W. Speaker Corporation • Germantown, WI U.S.A.
 www.jwspeaker.com • speaker@jwspeaker.com • 262.251.6660

LED Signal Lights - Model 223

PRODUCT WARNINGS

For California residents:

⚠ **WARNING:** Cancer and reproductive harm - www.P65Warnings.ca.gov.

⚠ **AVERTISSEMENT:** Cancer et effet nocif sur la reproduction - www.P65Warnings.ca.gov.

RELATED PRODUCTS



Part Number

0341711

12-24V ECE LED Front
Position/Front Turn
Signal Light