

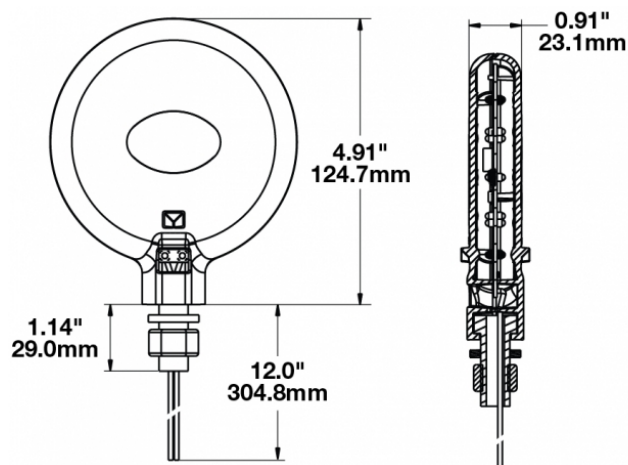
# LED Signal Lights - Model 206

## PRODUCT INFORMATION

<b>Description</b>	12-24V SAE Double-Sided LED Turn Signal without Guard
<b>Height</b>	124.71 mm / 4.91 in
<b>Width</b>	124.71 mm / 4.91 in
<b>Depth</b>	23.11 mm / 0.91 in
<b>Shape</b>	Round
<b>Outer Lens Material</b>	Polycarbonate
<b>Outer Lens Color</b>	Amber
<b>Housing Material</b>	Polycarbonate
<b>Housing Color</b>	Black
<b>Mounting Type</b>	Hollow Stud Mount
<b>Minimum Operating Temperature</b>	-40 °C / -40 °F
<b>Maximum Operating Temperature</b>	65 °C / 149 °F
<b>Connector or Wiring</b>	12" Bare Leads
<b>Product Weight</b>	0.39 lbs / 0.18 kgs
<b>Shipping Weight</b>	1.70 lbs / 0.77 kgs



## PRODUCT DIMENSIONS



Print date: 2019-01-23

© 2019 J.W. Speaker Corporation • Germantown, WI U.S.A.  
[www.jwspeaker.com](http://www.jwspeaker.com) • [speaker@jwspeaker.com](mailto:speaker@jwspeaker.com) • 262.251.6660

**J.W. SPEAKER**   
 Engineered. Lighting. Solutions.

# LED Signal Lights - Model 206

## ELECTRICAL SPECIFICATIONS

<b>Input Voltage</b>	12-24V DC
<b>Red Wire</b>	Positive
<b>Black Wire</b>	Negative
<b>Current Draw</b>	0.575A @ 12V DC 0.267A @ 24V DC

## REGULATORY STANDARDS COMPLIANCE



ASABE S279  
Eco Friendly  
SAE J974

Buy America Standards  
IEC IP67

## PHOTOMETRIC SPECIFICATIONS

<b>Beam Pattern(s)</b>	Signalization - Turn (Front) Signalization - Turn (Rear)
------------------------	---

## APPLICATIONS



Print date: 2019-01-23

© 2019 J.W. Speaker Corporation • Germantown, WI U.S.A.  
www.jwspeaker.com • speaker@jwspeaker.com • 262.251.6660

# LED Signal Lights - Model 206

## RELATED PRODUCTS

---



**Part Number**  
**0341931**  
12-24V SAE Double-Sided LED Turn Signal with Guard



**Part Number**  
**0342771**  
12-24V ECE/SAE Single-Sided LED Stop & Tail Light without Guard



**Part Number**  
**0342781**  
12-24V ECE/SAE Single-Sided LED Stop & Tail Light with Guard