

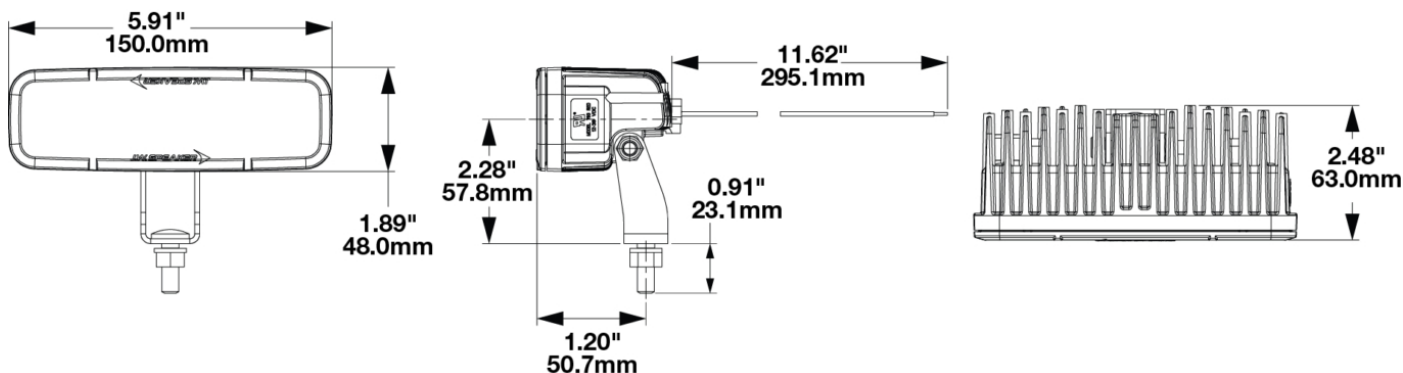
LED Safety Lights - Model 793

PRODUCT INFORMATION

Description	48-110V LED Red Stripe Light with Shroud, Long Bracket
Height	48.00 mm / 1.89 in
Width	150.00 mm / 5.91 in
Depth	97.00 mm / 3.82 in
Shape	Rectangular
Outer Lens Material	Polycarbonate
Outer Lens Color	Clear
Housing Material	Aluminum
Housing Color	Black
Bezel Color	Black
Mounting Hardware Description	(x1) 5/16"-18 x 1.00" Mounting Bolt Bracket
Mounting Type	Pedestal
Minimum Operating Temperature	-40 °C / -40 °F
Maximum Operating Temperature	65 °C / 149 °F
Connector or Wiring	Deutsch DT04-2P
Mating Connector	Deutsch DT06-2S with harness included with flying leads
Product Weight	0.90 lbs / 0.41 kgs
Shipping Weight	1.09 lbs / 0.49 kgs



PRODUCT DIMENSIONS



Print date: 2024-11-08

© 2024 J.W. Speaker Corporation • Germantown, WI U.S.A.
www.jwspeaker.com • speaker@jwspeaker.com • 262.251.6660

J.W. SPEAKER
 Engineered. Lighting. Solutions.

LED Safety Lights - Model 793

ELECTRICAL SPECIFICATIONS

Input Voltage	48-110 V
Operating Voltage	38-120 V
Transient Spike Protection	330V Peak @ 1 HZ-100 Pulses
Black Wire	Ground
Red Wire	ground
Current Draw	0.350A @ 48V 0.409A @ 60V 0.350A @ 72V 0.407A @ 80V

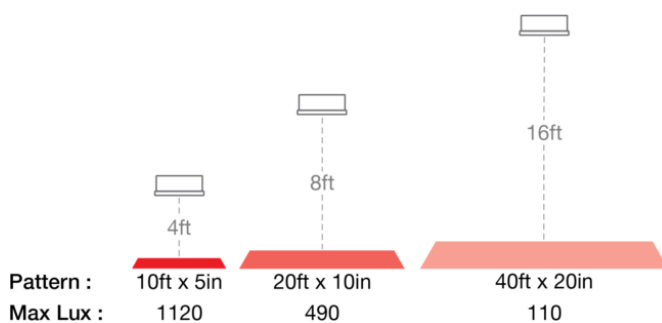
REGULATORY STANDARDS COMPLIANCE



Buy America Standards
IEC IP69K

Eco Friendly
UL Recognized

PHOTOMETRIC SPECIFICATIONS



Print date: 2024-11-08

© 2024 J.W. Speaker Corporation • Germantown, WI U.S.A.
www.jwspeaker.com • speaker@jwspeaker.com • 262.251.6660

J.W. SPEAKER
Engineered. Lighting. Solutions.

LED Safety Lights - Model 793

APPLICATIONS



PRODUCT WARNINGS

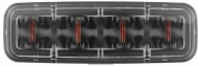
For California residents:

⚠ WARNING: Cancer and reproductive harm - www.P65Warnings.ca.gov.

⚠ AVERTISSEMENT: Cancer et effet nocif sur la reproduction - www.P65Warnings.ca.gov.

LED Safety Lights - Model 793

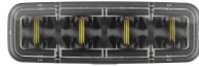
RELATED PRODUCTS



Part Number
1603631
12-36V LED Red Stripe
Zone Light



Part Number
1603641
12-36V LED Blue
Stripe Zone Light



Part Number
1603651
12-36V LED Amber
Stripe Zone Light



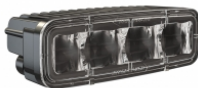
Part Number
1603681
12-36V LED Red Stripe
Zone Light with
Shroud



Part Number
1603761
12-36V LED Red
Stripe, Long Bracket



Part Number
1603771
12-36V LED Blue
Stripe, Long Bracket



Part Number
1603781
12-36V Amber Stripe
Zone Light, Long
Bracket



Part Number
1603791
12-36V Red Stripe with
Shroud, Long Bracket