

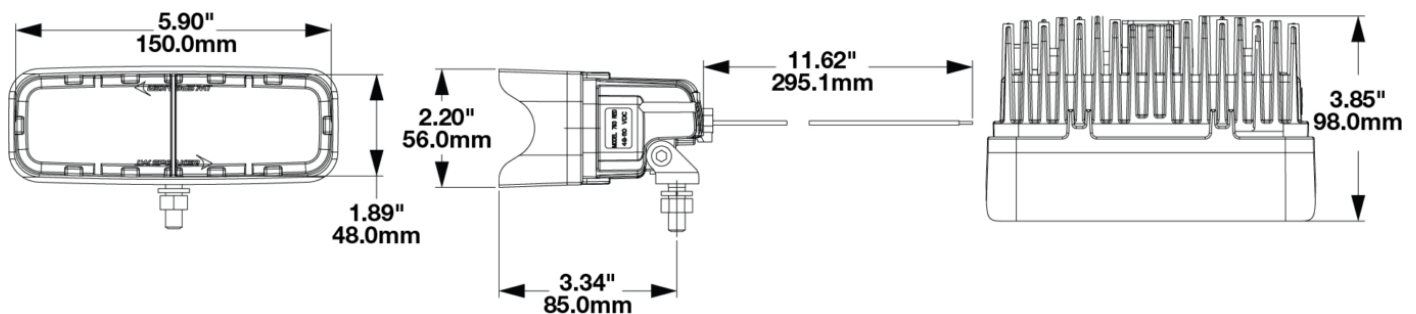
# LED Safety Lights - Model 793

## PRODUCT INFORMATION

<b>Description</b>	48-110V LED Red Stripe Zone Light with Shroud
<b>Height</b>	48.00 mm / 1.89 in
<b>Width</b>	150.00 mm / 5.91 in
<b>Depth</b>	97.00 mm / 3.82 in
<b>Shape</b>	Rectangular
<b>Outer Lens Material</b>	Polycarbonate
<b>Outer Lens Color</b>	Clear
<b>Housing Material</b>	Aluminum
<b>Housing Color</b>	Black
<b>Bezel Color</b>	Black
<b>Mounting Hardware Description</b>	(x1) 5/16"-18 x 1.00" Mounting Bolt Bracket
<b>Mounting Type</b>	Pedestal
<b>Minimum Operating Temperature</b>	-40 °C / -40 °F
<b>Maximum Operating Temperature</b>	65 °C / 149 °F
<b>Connector or Wiring</b>	Deutsch DT04-2P
<b>Mating Connector</b>	Deutsch DT06-2S with harness included with flying leads
<b>Product Weight</b>	0.90 lbs / 0.41 kgs
<b>Shipping Weight</b>	1.09 lbs / 0.49 kgs



## PRODUCT DIMENSIONS



Print date: 2026-04-25

© 2026 J.W. Speaker Corporation • Germantown, WI U.S.A.  
 www.jwspeaker.com • speaker@jwspeaker.com • 262.251.6660

**J.W. SPEAKER**  
 Engineered. Lighting. Solutions.

# LED Safety Lights - Model 793

## ELECTRICAL SPECIFICATIONS

<b>Input Voltage</b>	48-110V DC
<b>Operating Voltage</b>	38-120V DC
<b>Transient Spike Protection</b>	330V Peak @ 1 HZ-100 Pulses
<b>Black Wire</b>	Ground
<b>Red Wire</b>	Power
<b>Current Draw</b>	0.350A @ 48V DC 0.409A @ 60V DC 0.350A @ 72V DC 0.407A @ 80V DC

## REGULATORY STANDARDS COMPLIANCE

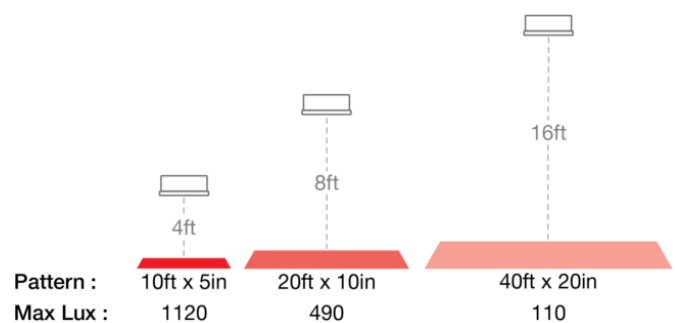


Buy America Standards  
IEC IP69K

Eco Friendly  
UL Recognized

## PHOTOMETRIC SPECIFICATIONS

<b>Raw Lumen Output</b>	1,130
<b>Effective Lumen Output</b>	317
<b>Candela Output</b>	3,150
<b>Beam Pattern(s)</b>	Warning - Keep Out Zone



Print date: 2026-04-25

© 2026 J.W. Speaker Corporation • Germantown, WI U.S.A.  
www.jwspeaker.com • speaker@jwspeaker.com • 262.251.6660

**J.W. SPEAKER**  
Engineered. Lighting. Solutions.

# LED Safety Lights - Model 793

## APPLICATIONS

---



## PRODUCT WARNINGS

---

For California residents:

⚠ **WARNING:** Cancer and reproductive harm - [www.P65Warnings.ca.gov](http://www.P65Warnings.ca.gov).

⚠ **AVERTISSEMENT:** Cancer et effet nocif sur la reproduction - [www.P65Warnings.ca.gov](http://www.P65Warnings.ca.gov).

## ACCESSORIES

---



**Part Number**

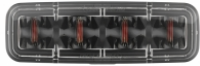
**8201241**

DIN Pole Mount for  
Work Lights

# LED Safety Lights - Model 793

## RELATED PRODUCTS

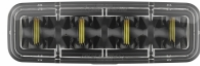
---



**Part Number**  
**1603631**  
12-36V LED Red Stripe  
Zone Light



**Part Number**  
**1603641**  
12-36V LED Blue  
Stripe Zone Light



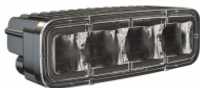
**Part Number**  
**1603651**  
12-36V LED Amber  
Stripe Zone Light



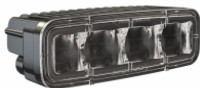
**Part Number**  
**1603681**  
12-36V LED Red Stripe  
Zone Light with  
Shroud



**Part Number**  
**1603761**  
12-36V LED Red  
Stripe, Long Bracket



**Part Number**  
**1603771**  
12-36V LED Blue  
Stripe, Long Bracket



**Part Number**  
**1603781**  
12-36V Amber Stripe  
Zone Light, Long  
Bracket



**Part Number**  
**1603791**  
12-36V Red Stripe with  
Shroud, Long Bracket