

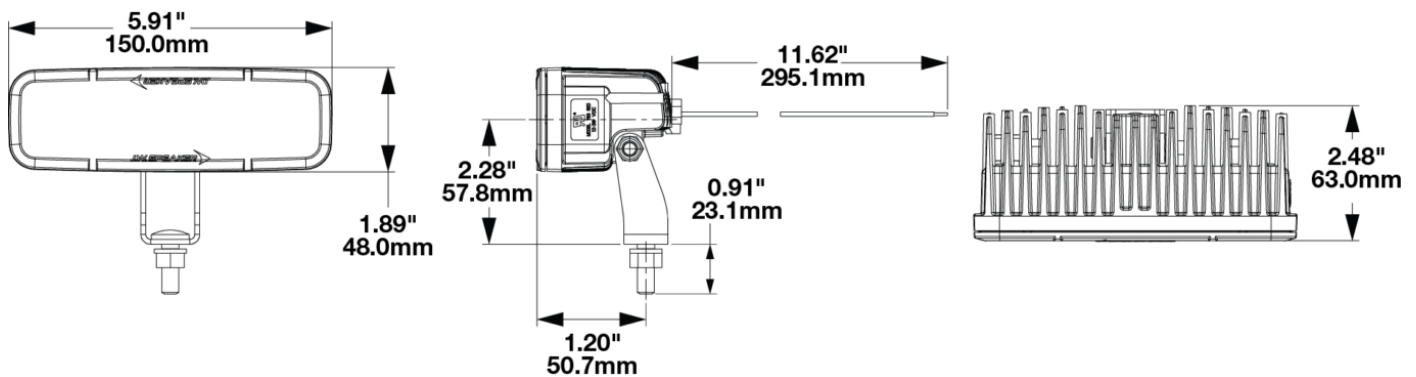
LED Safety Lights - Model 793

PRODUCT INFORMATION

Description	12-36V Amber Stripe Zone Light, Long Bracket
Product Weight	0.79 lbs / 0.36 kgs
Shipping Weight	0.98 lbs / 0.44 kgs



PRODUCT DIMENSIONS



Print date: 2024-11-10

© 2024 J.W. Speaker Corporation • Germantown, WI U.S.A.
www.jwspeaker.com • speaker@jwspeaker.com • 262.251.6660

J.W. SPEAKER 
 Engineered. Lighting. Solutions.

LED Safety Lights - Model 793

ELECTRICAL SPECIFICATIONS

Input Voltage	12-36 V
Operating Voltage	10-45 V
Current Draw	1.00A @ 12V 0.54A @ 24V 0.45A @ 36V

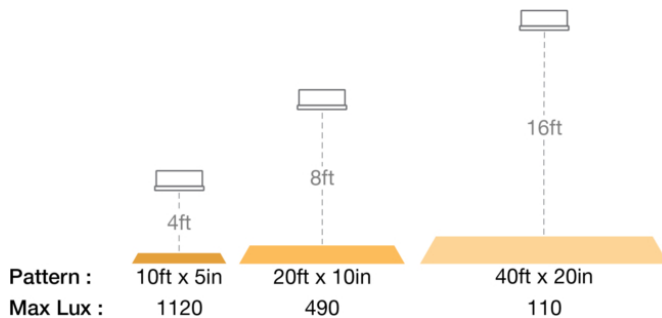
REGULATORY STANDARDS COMPLIANCE



Buy America Standards
IEC IP69K

Eco Friendly
UL Recognized

PHOTOMETRIC SPECIFICATIONS



Print date: 2024-11-10

© 2024 J.W. Speaker Corporation • Germantown, WI U.S.A.
www.jwspeaker.com • speaker@jwspeaker.com • 262.251.6660

LED Safety Lights - Model 793

APPLICATIONS



PRODUCT WARNINGS

For California residents:

⚠ **WARNING:** Cancer and reproductive harm - www.P65Warnings.ca.gov.

⚠ **AVERTISSEMENT:** Cancer et effet nocif sur la reproduction - www.P65Warnings.ca.gov.

LED Safety Lights - Model 793

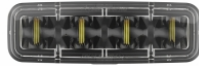
RELATED PRODUCTS



Part Number
1603631
12-36V LED Red Stripe
Zone Light



Part Number
1603641
12-36V LED Blue
Stripe Zone Light



Part Number
1603651
12-36V LED Amber
Stripe Zone Light



Part Number
1603681
12-36V LED Red Stripe
Zone Light with
Shroud



Part Number
1603761
12-36V LED Red
Stripe, Long Bracket



Part Number
1603771
12-36V LED Blue
Stripe, Long Bracket



Part Number
1603791
12-36V Red Stripe with
Shroud, Long Bracket



Part Number
1603811
48-110V LED Red
Stripe Zone Light,
Short Bracket