

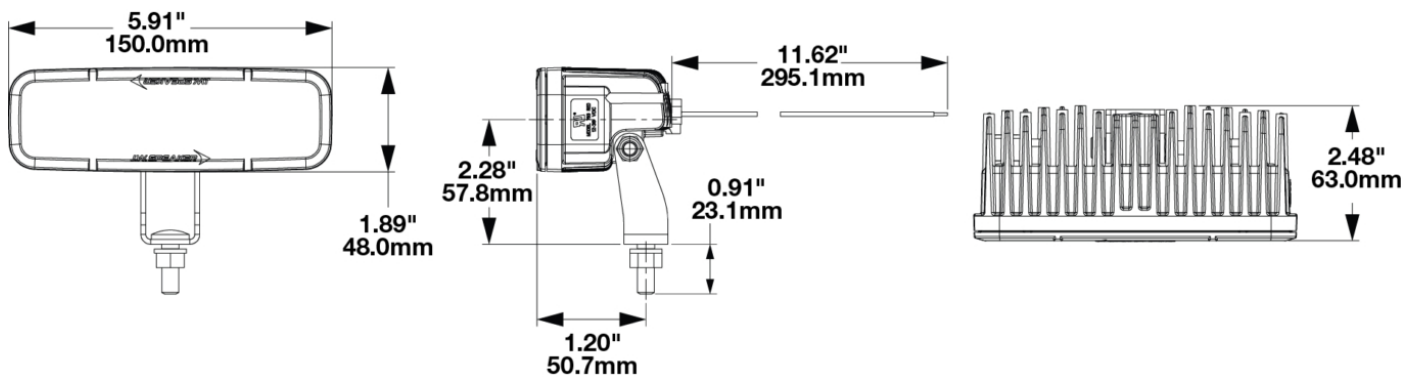
LED Safety Lights - Model 793

PRODUCT INFORMATION

| | |
|------------------------|-------------------------------------|
| Description | 12-36V LED Red Stripe, Long Bracket |
| Product Weight | 0.79 lbs / 0.36 kgs |
| Shipping Weight | 0.98 lbs / 0.44 kgs |



PRODUCT DIMENSIONS



Print date: 2026-06-14

© 2026 J.W. Speaker Corporation • Germantown, WI U.S.A.
www.jwspeaker.com • speaker@jwspeaker.com • 262.251.6660

J.W. SPEAKER
Engineered. Lighting. Solutions.

LED Safety Lights - Model 793

ELECTRICAL SPECIFICATIONS

| | |
|--------------------------|---------------------------------------|
| Input Voltage | 12-36 V |
| Operating Voltage | 10-45 V |
| Current Draw | 1.6A @ 12V .6A @ 24V .57A @ 36V |

REGULATORY STANDARDS COMPLIANCE

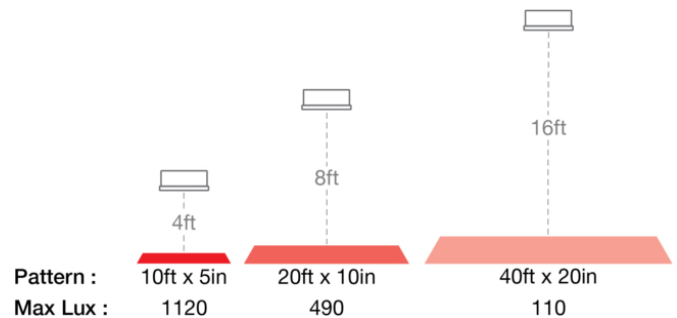


Buy America Standards
IEC IP69K

Eco Friendly
UL Recognized

PHOTOMETRIC SPECIFICATIONS

Beam Pattern(s) Warning - Keep Out Zone



Print date: 2026-06-14

© 2026 J.W. Speaker Corporation • Germantown, WI U.S.A.
www.jwspeaker.com • speaker@jwspeaker.com • 262.251.6660

LED Safety Lights - Model 793

APPLICATIONS



PRODUCT WARNINGS

For California residents:

⚠ **WARNING:** Cancer and reproductive harm - www.P65Warnings.ca.gov.

⚠ **AVERTISSEMENT:** Cancer et effet nocif sur la reproduction - www.P65Warnings.ca.gov.

ACCESSORIES



Part Number

8201241

DIN Pole Mount for
Work Lights

LED Safety Lights - Model 793

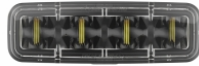
RELATED PRODUCTS



Part Number
1603631
12-36V LED Red Stripe
Zone Light



Part Number
1603641
12-36V LED Blue
Stripe Zone Light



Part Number
1603651
12-36V LED Amber
Stripe Zone Light



Part Number
1603681
12-36V LED Red Stripe
Zone Light with
Shroud



Part Number
1603771
12-36V LED Blue
Stripe, Long Bracket



Part Number
1603781
12-36V Amber Stripe
Zone Light, Long
Bracket



Part Number
1603791
12-36V Red Stripe with
Shroud, Long Bracket



Part Number
1603811
48-110V LED Red
Stripe Zone Light,
Short Bracket