

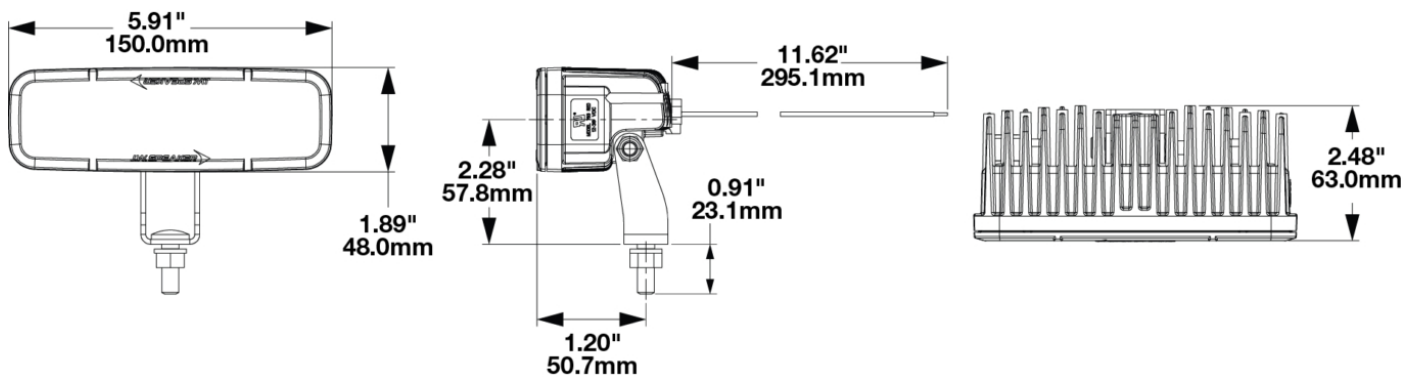
# LED Safety Lights - Model 793

## PRODUCT INFORMATION

<b>Description</b>	12-36V LED Red Stripe, Long Bracket
<b>Product Weight</b>	0.79 lbs / 0.36 kgs
<b>Shipping Weight</b>	0.98 lbs / 0.44 kgs



## PRODUCT DIMENSIONS



Print date: 2026-06-20

© 2026 J.W. Speaker Corporation • Germantown, WI U.S.A.  
[www.jwspeaker.com](http://www.jwspeaker.com) • [speaker@jwspeaker.com](mailto:speaker@jwspeaker.com) • 262.251.6660

**J.W. SPEAKER**   
 Engineered. Lighting. Solutions.

# LED Safety Lights - Model 793

## ELECTRICAL SPECIFICATIONS

<b>Input Voltage</b>	12-36 V
<b>Operating Voltage</b>	10-45 V
<b>Current Draw</b>	1.6A @ 12V .6A @ 24V .57A @ 36V

## REGULATORY STANDARDS COMPLIANCE

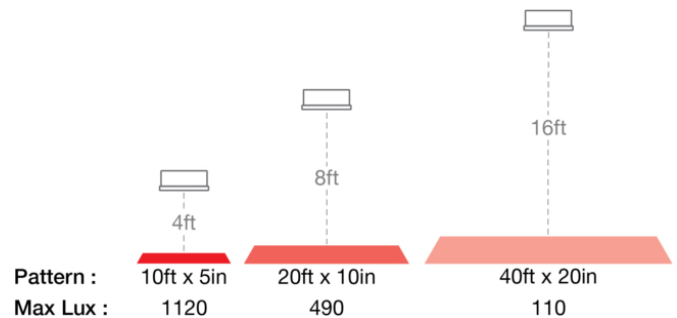


Buy America Standards  
IEC IP69K

Eco Friendly  
UL Recognized

## PHOTOMETRIC SPECIFICATIONS

**Beam Pattern(s)**      Warning - Keep Out Zone



**Print date: 2026-06-20**

© 2026 J.W. Speaker Corporation • Germantown, WI U.S.A.  
www.jwspeaker.com • speaker@jwspeaker.com • 262.251.6660

**J.W. SPEAKER®**  
Engineered. Lighting. Solutions.

# LED Safety Lights - Model 793

## APPLICATIONS

---



## PRODUCT WARNINGS

---

For California residents:

⚠ **WARNING:** Cancer and reproductive harm - [www.P65Warnings.ca.gov](http://www.P65Warnings.ca.gov).

⚠ **AVERTISSEMENT:** Cancer et effet nocif sur la reproduction - [www.P65Warnings.ca.gov](http://www.P65Warnings.ca.gov).

## ACCESSORIES

---



**Part Number**

**8201241**

DIN Pole Mount for  
Work Lights

# LED Safety Lights - Model 793

## RELATED PRODUCTS

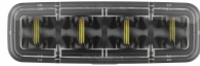
---



**Part Number**  
**1603631**  
12-36V LED Red Stripe  
Zone Light



**Part Number**  
**1603641**  
12-36V LED Blue  
Stripe Zone Light



**Part Number**  
**1603651**  
12-36V LED Amber  
Stripe Zone Light



**Part Number**  
**1603681**  
12-36V LED Red Stripe  
Zone Light with  
Shroud



**Part Number**  
**1603771**  
12-36V LED Blue  
Stripe, Long Bracket



**Part Number**  
**1603781**  
12-36V Amber Stripe  
Zone Light, Long  
Bracket



**Part Number**  
**1603791**  
12-36V Red Stripe with  
Shroud, Long Bracket



**Part Number**  
**1603811**  
48-110V LED Red  
Stripe Zone Light,  
Short Bracket