

LED Safety Lights - Model 793

PRODUCT INFORMATION

Description	12-36V LED Red Stripe Zone Light with Shroud
Height	56.00 mm / 2.2 in
Width	157.00 mm / 6.18 in
Depth	97.00 mm / 3.82 in
Shape	Rectangular
Outer Lens Material	Polycarbonate
Outer Lens Color	Clear
Housing Color	Black
Bezel Color	Black
Mounting Hardware Description	(x1) 5/16"-18 x 1.00" Mounting Bolt Bracket
Minimum Operating Temperature	-40 °C / -40 °F
Maximum Operating Temperature	65 °C / 149 °F
Connector or Wiring	Deutsch DT04-2P
Mating Connector	Deutsch DT06-2S with harness included with flying leads
Product Weight	0.90 lbs / 0.41 kgs
Shipping Weight	1.25 lbs / 0.57 kgs



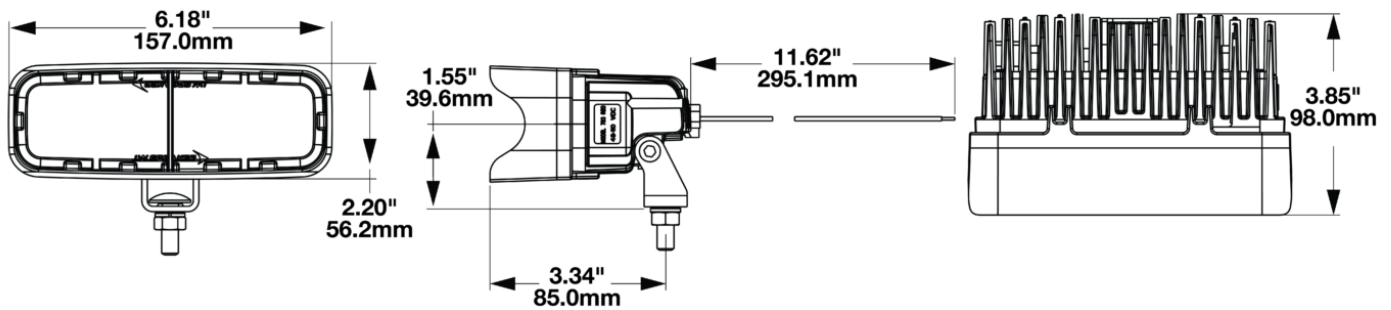
Print date: 2026-07-11

© 2026 J.W. Speaker Corporation • Germantown, WI U.S.A.
 www.jwspeaker.com • speaker@jwspeaker.com • 262.251.6660

J.W. SPEAKER 
 Engineered. Lighting. Solutions.

LED Safety Lights - Model 793

PRODUCT DIMENSIONS



ELECTRICAL SPECIFICATIONS

Input Voltage	12-36V DC
Operating Voltage	10-45V DC
Transient Spike Protection	330V Peak @ 1 HZ-100 Pulses
Black Wire	Ground
Red Wire	Power
Current Draw	1.60A @ 12V DC 0.60A @ 24V DC 0.57A @ 36V DC

REGULATORY STANDARDS COMPLIANCE



Buy America Standards
IEC IP67
UL Recognized

Eco Friendly
IEC IP69K

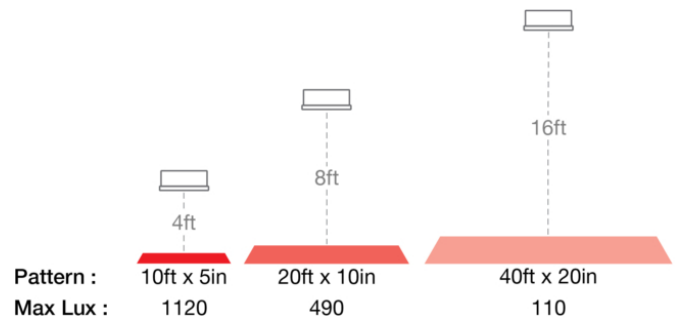
Print date: 2026-07-11

© 2026 J.W. Speaker Corporation • Germantown, WI U.S.A.
www.jwspeaker.com • speaker@jwspeaker.com • 262.251.6660

LED Safety Lights - Model 793

PHOTOMETRIC SPECIFICATIONS

Raw Lumen Output	1,130
Effective Lumen Output	317
Candela Output	3,150
Beam Pattern(s)	Warning - Keep Out Zone



APPLICATIONS



PRODUCT WARNINGS

For California residents:

⚠ **WARNING:** Cancer and reproductive harm - www.P65Warnings.ca.gov.

⚠ **AVERTISSEMENT:** Cancer et effet nocif sur la reproduction - www.P65Warnings.ca.gov.

Print date: 2026-07-11

© 2026 J.W. Speaker Corporation • Germantown, WI U.S.A.
www.jwspeaker.com • speaker@jwspeaker.com • 262.251.6660

J.W. SPEAKER
 Engineered. Lighting. Solutions.

LED Safety Lights - Model 793

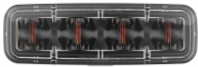
ACCESSORIES



Part Number
8201241

DIN Pole Mount for
Work Lights

RELATED PRODUCTS



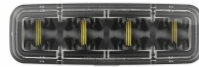
Part Number
1603631

12-36V LED Red Stripe
Zone Light



Part Number
1603641

12-36V LED Blue
Stripe Zone Light



Part Number
1603651

12-36V LED Amber
Stripe Zone Light



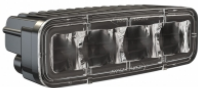
Part Number
1603761

12-36V LED Red
Stripe, Long Bracket



Part Number
1603771

12-36V LED Blue
Stripe, Long Bracket



Part Number
1603781

12-36V Amber Stripe
Zone Light, Long
Bracket



Part Number
1603791

12-36V Red Stripe with
Shroud, Long Bracket



Part Number
1603811

48-110V LED Red
Stripe Zone Light,
Short Bracket

Print date: 2026-07-11

© 2026 J.W. Speaker Corporation • Germantown, WI U.S.A.
www.jwspeaker.com • speaker@jwspeaker.com • 262.251.6660