

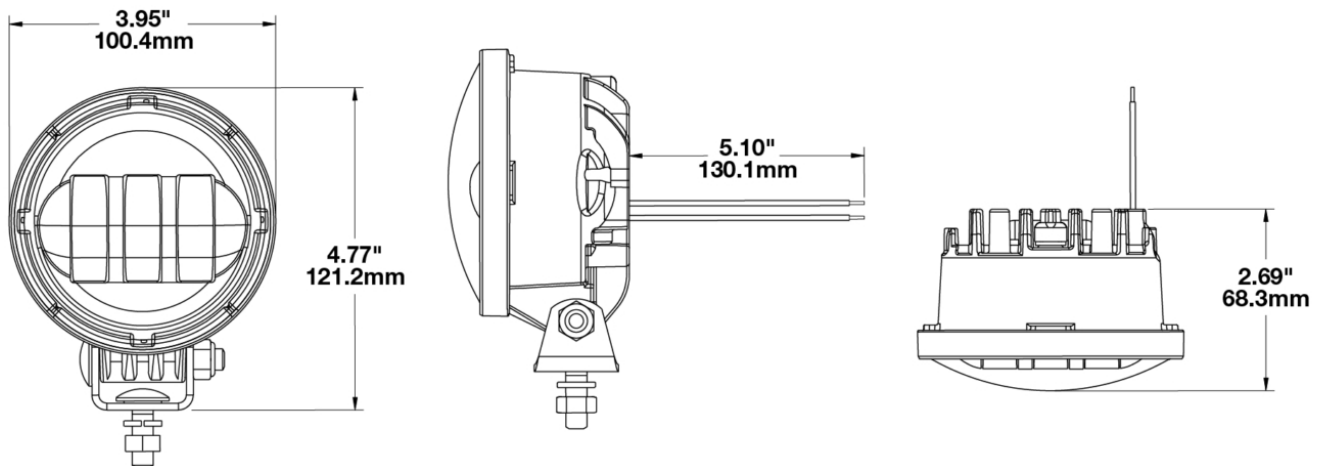
LED Safety Light - Model 6150

PRODUCT INFORMATION

Description	12-110V LED Blue Zone Light
Height	121.23 mm / 4.77 in
Width	100.36 mm / 3.95 in
Depth	68.30 mm / 2.69 in
Shape	Round
Outer Lens Material	Hardcoated Polycarbonate
Outer Lens Color	Clear
Housing Material	Die-Cast Aluminum
Housing Color	Black
Bezel Color	Black
Mounting Hardware Description	(x1) M8-1.25 x .25 SS Mounting Bolt
Mounting Type	Universal Pedestal Mount
Shipping Weight	1.80 lbs / 0.82 kgs



PRODUCT DIMENSIONS



Print date: 2018-04-19

© 2018 J.W. Speaker Corporation • Germantown, WI U.S.A.
www.jwspeaker.com • speaker@jwspeaker.com • 262.251.6660

J.W. SPEAKER
 Engineered. Lighting. Solutions.

LED Safety Light - Model 6150

ELECTRICAL SPECIFICATIONS

Input Voltage	12-110V DC
Red Wire	Power
Black Wire	Ground
Current Draw	1.55A @ 12V DC 0.75A @ 24V DC 0.36A @ 48V DC 0.30A @ 60V DC 0.17A @ 110V DC

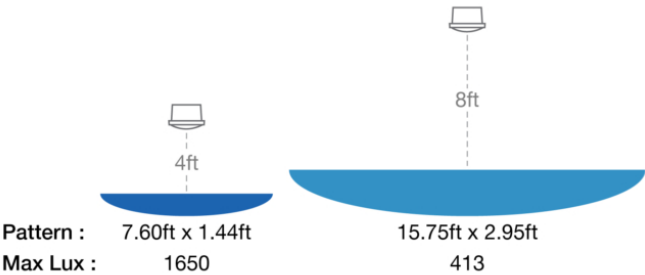
REGULATORY STANDARDS COMPLIANCE



Buy America Standards Eco Friendly
IEC IP67

PHOTOMETRIC SPECIFICATIONS

Effective Lumen Output	211
Candela Output	2,538
Beam Pattern(s)	Warning - Keep Out Zone



Print date: 2018-04-19

© 2018 J.W. Speaker Corporation • Germantown, WI U.S.A.
www.jwspeaker.com • speaker@jwspeaker.com • 262.251.6660



LED Safety Light - Model 6150

APPLICATIONS



RELATED PRODUCTS



Part Number
0552961
12-110V LED Red Zone
Light



Part Number
0553561
12-110V Antiglare
Zone Light