

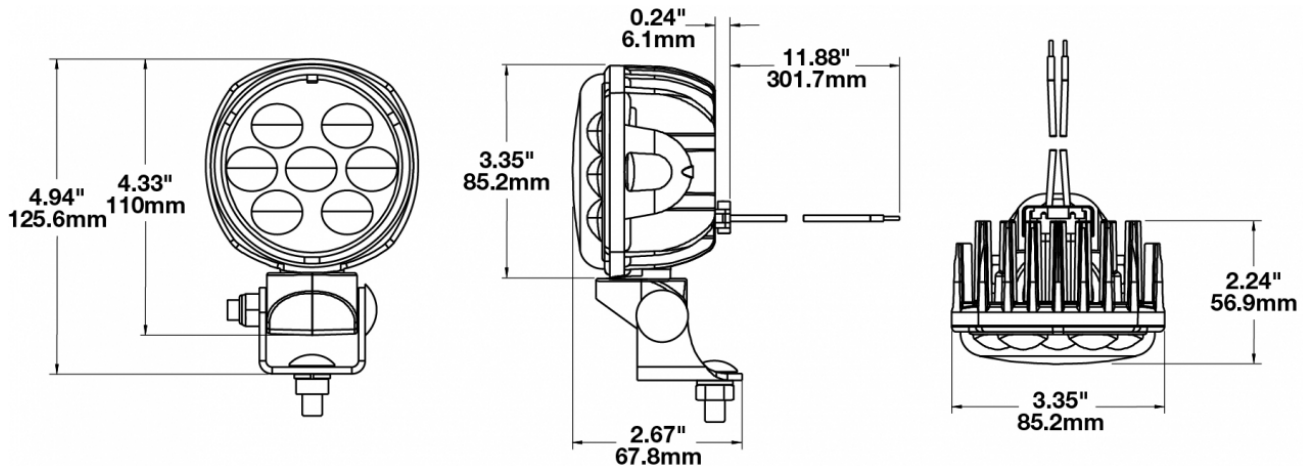
LED Safety Light - Model 4415

PRODUCT INFORMATION

Description	12-110V LED Red Warning Light
Height	110.00 mm / 4.33 in
Width	85.20 mm / 3.35 in
Depth	56.90 mm / 2.24 in
Shape	Round
Outer Lens Material	Polycarbonate
Outer Lens Color	Clear
Housing Material	Die-Cast Aluminum
Housing Color	Black
Mounting Hardware Description	(x1) M8-20 x 1.25 Mounting Bolt Black ZP
Mounting Type	Pedestal
Shipping Weight	1.10 lbs / 0.5 kgs



PRODUCT DIMENSIONS



Print date: 2017-11-25

© 2017 J.W. Speaker Corporation • Germantown, WI U.S.A.
 www.jwspeaker.com • speaker@jwspeaker.com • 262.251.6660

LED Safety Light - Model 4415

ELECTRICAL SPECIFICATIONS

Input Voltage	12-110V DC
Red Wire	Power
Black Wire	Ground
Current Draw	1.910A @ 12V DC 0.810A @ 24V DC 0.405A @ 48V DC 0.325A @ 60V DC 0.180A @ 110V DC

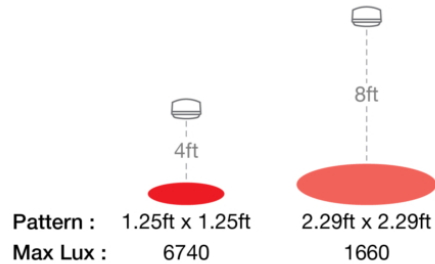
REGULATORY STANDARDS COMPLIANCE



Buy America Standards Eco Friendly
IEC IP67

PHOTOMETRIC SPECIFICATIONS

Effective Lumen Output	276
Candela Output	9,920
Beam Pattern(s)	Warning - Keep Out Zone



Print date: 2017-11-25

© 2017 J.W. Speaker Corporation • Germantown, WI U.S.A.
www.jwspeaker.com • speaker@jwspeaker.com • 262.251.6660



LED Safety Light - Model 4415

APPLICATIONS



RELATED PRODUCTS



Part Number

0552991

12-110V LED Blue
Warning Light