

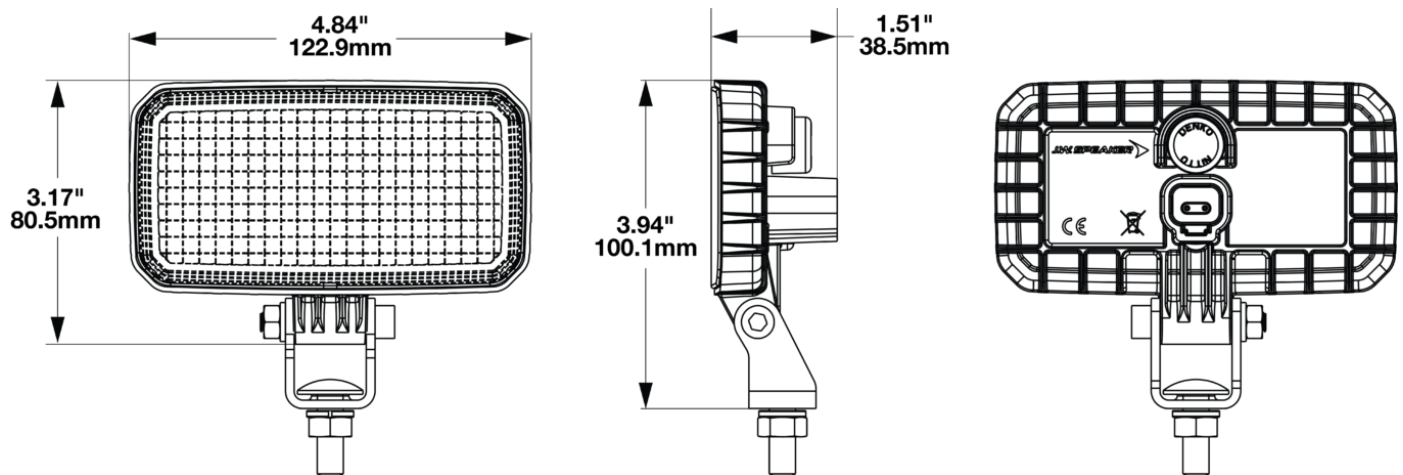
LED Reverse Light - Model 790 XD

PRODUCT INFORMATION

Description	12/24V SAE/ECE LED Reverse Lamp w/ Deutsch
Height	100.12 mm / 3.94 in
Width	122.86 mm / 4.84 in
Depth	38.5 mm / 1.52 in
Shape	Rectangular
Outer Lens Material	Polycarbonate
Outer Lens Color	Clear
Housing Material	Polycarbonate
Housing Color	Black
Mounting Hardware Description	(x1) M6-1X35, M6-1, M8-1.25X25, M8-1.25
Mounting Type	Universal Pedestal Mount
Minimum Operating Temperature	-40 °C / -40 °F
Maximum Operating Temperature	85 °C / 185 °F
Mating Connector	Deutsch DT06-2S
Product Weight	0.54 lbs / 0.24 kgs
Shipping Weight	0.1 lbs / 0.05 kgs



PRODUCT DIMENSIONS



Print date: 2026-06-12

© 2026 J.W. Speaker Corporation • Germantown, WI U.S.A.
www.jwspeaker.com • speaker@jwspeaker.com • 262.251.6660

J.W. SPEAKER
 Engineered. Lighting. Solutions.

LED Reverse Light - Model 790 XD

ELECTRICAL SPECIFICATIONS

Input Voltage	12/24V AC
Operating Voltage	9 - 32V AC
Polarity Neutral Wire	Power can be applied to either pin
Current Draw	0.40A @ 13.5V AC 0.23A @ 24V AC

REGULATORY STANDARDS COMPLIANCE



CE Recognized
IEC IP67
SAE J593

ECE Reg 148 - AR
IEC IP69K

PHOTOMETRIC SPECIFICATIONS

Raw Lumen Output	735
Effective Lumen Output	560
Candela Output	255
Beam Pattern(s)	Signalization - Backup

APPLICATIONS



Print date: 2026-06-12

© 2026 J.W. Speaker Corporation • Germantown, WI U.S.A.
www.jwspeaker.com • speaker@jwspeaker.com • 262.251.6660

LED Reverse Light - Model 790 XD

PRODUCT WARNINGS

For California residents:

⚠ **WARNING:** Cancer and reproductive harm - www.P65Warnings.ca.gov.

⚠ **AVERTISSEMENT:** Cancer et effet nocif sur la reproduction - www.P65Warnings.ca.gov.

RELATED PRODUCTS



Part Number

0443781

12/24V SAE/ECE LED

Reverse Lamp w/ Amp