

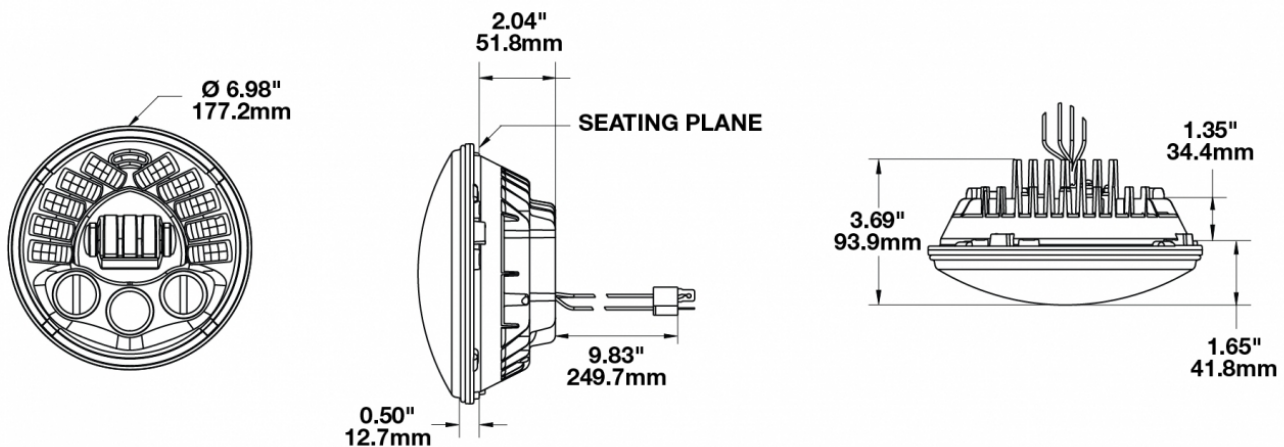
# Motorcycle LED Headlights - Model 8790

## PRODUCT INFORMATION

<b>Description</b>	12V DOT/ECE LED High & Low Beam Headlight with Black Inner Bezel
<b>Height</b>	177.20 mm / 6.98 in
<b>Width</b>	177.20 mm / 6.98 in
<b>Depth</b>	93.68 mm / 3.69 in
<b>Shape</b>	Round
<b>Outer Lens Material</b>	Polycarbonate
<b>Outer Lens Color</b>	Clear
<b>Housing Material</b>	Die-Cast Aluminum
<b>Bezel Color</b>	Black
<b>Retrofits</b>	Bucket, 7" Round Headlights, PAR56
<b>Minimum Operating Temperature</b>	-40 °C / -40 °F
<b>Maximum Operating Temperature</b>	60 °C / 140 °F
<b>Connector or Wiring</b>	H4
<b>Mating Connector</b>	H4 AMP#172615-2
<b>Product Weight</b>	2.29 lbs / 1.04 kgs
<b>Shipping Weight</b>	3.13 lbs / 1.42 kgs



## PRODUCT DIMENSIONS



Print date: 2019-02-17

© 2019 J.W. Speaker Corporation • Germantown, WI U.S.A.  
[www.jwspeaker.com](http://www.jwspeaker.com) • [speaker@jwspeaker.com](mailto:speaker@jwspeaker.com) • 262.251.6660

**J.W. SPEAKER**   
 Engineered. Lighting. Solutions.

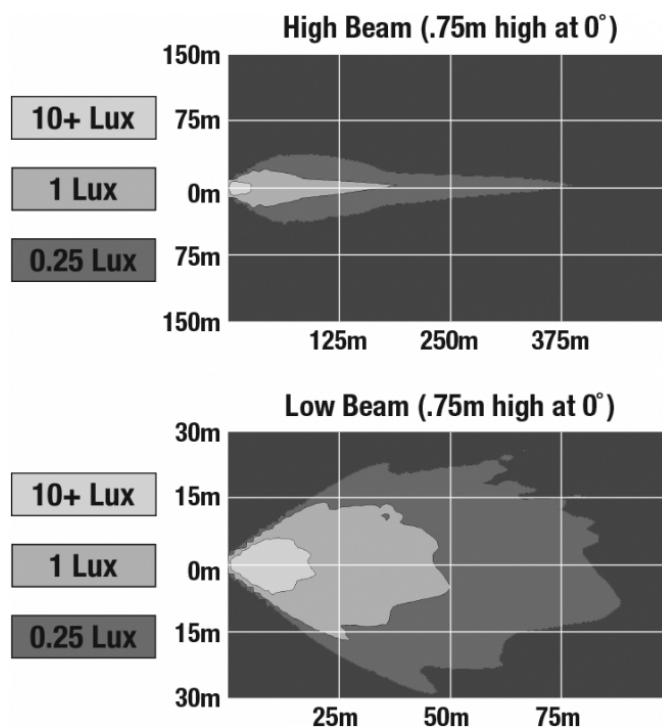
# Motorcycle LED Headlights - Model 8790

## ELECTRICAL SPECIFICATIONS

<b>Input Voltage</b>	12V DC
<b>Operating Voltage</b>	9-16V DC
<b>BLACK Wire</b>	GROUND
<b>WHITE Wire</b>	HIGH BEAM
<b>YELLOW Wire</b>	LOW BEAM
<b>RED Wire</b>	FRONT POSITION
<b>Current Draw</b>	1.9A @ 13.5V DC (LOW BEAM) 2.9A @ 13.5V DC (HIGH BEAM)

## PHOTOMETRIC SPECIFICATIONS

<b>Raw Lumen Output</b>	2,250 (High Beam); 2025 (Low Beam)
<b>Effective Lumen Output</b>	1,150 (High Beam); 850 (Low Beam)
<b>Candela Output</b>	48,000 (High Beam); 11,500 (Low Beam)
<b>Nominal LED Color Temperature</b>	5000 K
<b>Beam Pattern(s)</b>	Forward Lighting - High Beam (DOT/ECE) Forward Lighting - Low Beam (DOT/ECE) Signalization - Front Position



Print date: 2019-02-17

© 2019 J.W. Speaker Corporation • Germantown, WI U.S.A.  
www.jwspeaker.com • speaker@jwspeaker.com • 262.251.6660

# Motorcycle LED Headlights - Model 8790

## APPLICATIONS

---



## ACCESSORIES

---



**Part Number**  
**3156351**

Mounting Ring Kit for  
7" Round (PAR56)  
Headlights



**Part Number**  
**8200411**

Wire Harness H4 for 7"  
Round (PAR56)  
Headlights

## RELATED PRODUCTS

---



**Part Number**  
**0553431**

12V DOT/ECE LED High  
& Low Beam Headlight  
with Chrome Inner  
Bezel

---

Print date: 2019-02-17

© 2019 J.W. Speaker Corporation • Germantown, WI U.S.A.  
www.jwspeaker.com • speaker@jwspeaker.com • 262.251.6660