

# LED Motorcycle Headlight - Model 93 M

## PRODUCT INFORMATION

<b>Description</b>	12-24V DOT/ECE LED High & Low Beam Headlight Kit with Black Inner Bezel
<b>Height</b>	125.00 mm / 4.92 in
<b>Width</b>	90.00 mm / 3.54 in
<b>Depth</b>	95.00 mm / 3.74 in
<b>Shape</b>	Round
<b>Outer Lens Material</b>	Polycarbonate
<b>Outer Lens Color</b>	Clear
<b>Housing Material</b>	Die Cast Aluminum
<b>Housing Color</b>	Black
<b>Bezel Color</b>	Black
<b>Mounting Hardware Description</b>	Bracket
<b>Mounting Type</b>	Pedestal
<b>Minimum Operating Temperature</b>	-40 °C / -40 °F
<b>Maximum Operating Temperature</b>	65 °C / 149 °F
<b>Connector or Wiring</b>	Deutsch DT04-2P, DT04-3P
<b>Mating Connector</b>	Deutsch DT06-2S, DT06-3S
<b>Product Weight</b>	1.30 lbs / 0.59 kgs
<b>Shipping Weight</b>	2.95 lbs / 1.34 kgs
<b>Additional Information</b>	The high beam is classified as an FMVSS UB6. It requires that the low beam is powered at the same time as the high beam to be compliant for use on the road in the USA.



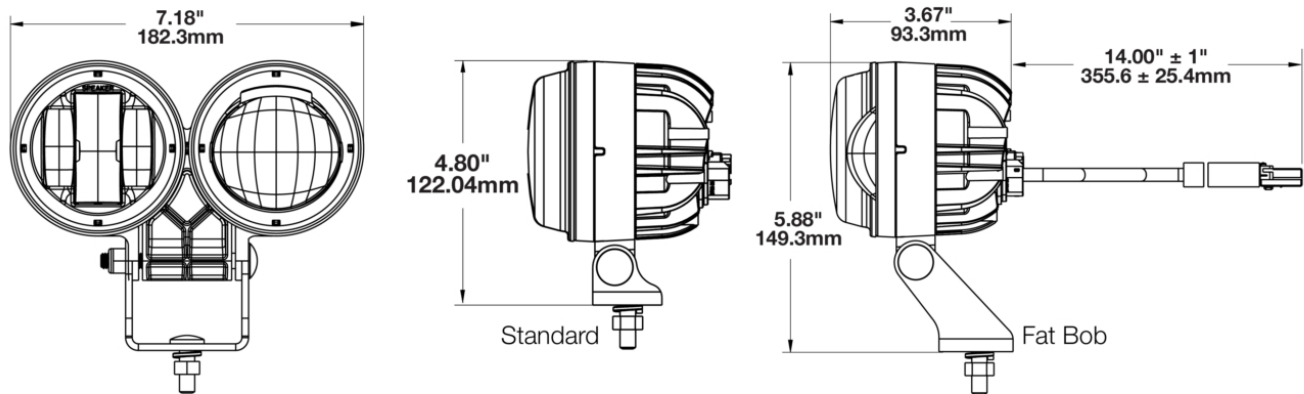
Print date: 2018-05-20

© 2018 J.W. Speaker Corporation • Germantown, WI U.S.A.  
www.jwspeaker.com • speaker@jwspeaker.com • 262.251.6660

**J.W. SPEAKER**   
Engineered. Lighting. Solutions.

# LED Motorcycle Headlight - Model 93 M

## PRODUCT DIMENSIONS



## ELECTRICAL SPECIFICATIONS

<b>Input Voltage</b>	12-24V DC
<b>Operating Voltage</b>	10.5-38V DC
<b>Transient Spike Protection</b>	150V Peak @ 1 HZ-100 Pulses
<b>Black Wire</b>	Ground
<b>Yellow Wire</b>	High Beam
<b>White Wire</b>	Low Beam
<b>Red Wire</b>	Front Position
<b>Current Draw</b>	1.97A @ 12V DC (Low Beam) 0.98A @ 24V DC (Low Beam) 0.80A @ 12V DC (High Beam) 0.40A @ 24V DC (High Beam) 0.40A @ 12V DC (Front Position) 0.20A @ 24V DC (Front Position)

Print date: 2018-05-20

© 2018 J.W. Speaker Corporation • Germantown, WI U.S.A.  
www.jwspeaker.com • speaker@jwspeaker.com • 262.251.6660

**J.W. SPEAKER**  
Engineered. Lighting. Solutions.

# LED Motorcycle Headlight - Model 93 M

## REGULATORY STANDARDS COMPLIANCE

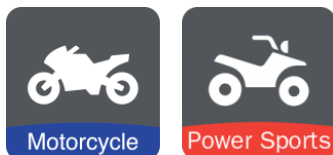


Buy America Standards	ECE Reg 112
ECE Reg 113	Eco Friendly
FMVSS 108 Table XVIII	FMVSS 108 Table XX
IEC IP67	IEC IP69K
Tested to ECE Reg. 10 (Radiated Emissions only)	

## PHOTOMETRIC SPECIFICATIONS

<b>Raw Lumen Output</b>	1,910 (Low Beam), 630 (High Beam)
<b>Effective Lumen Output</b>	575 (Low Beam), 230 (High Beam)
<b>Candela Output</b>	18,000 (Low Beam), 45,000 (High Beam)
<b>Nominal LED Color Temperature</b>	5000 K
<b>Beam Pattern(s)</b>	Forward Lighting - High Beam (DOT/ECE) Forward Lighting - Low Beam (DOT/ECE)

## APPLICATIONS



Print date: 2018-05-20

© 2018 J.W. Speaker Corporation • Germantown, WI U.S.A.  
www.jwspeaker.com • speaker@jwspeaker.com • 262.251.6660

**J.W. SPEAKER®**  
Engineered. Lighting. Solutions.