

# LED Marker Lights - Model 152

## PRODUCT INFORMATION

<b>Description</b>	Model 152 Side Marker-12V Red ECE- SAE LAMP
<b>Height</b>	26.8 mm / 1.06 in
<b>Width</b>	96.3 mm / 3.79 in
<b>Depth</b>	24.2 mm / 0.95 in
<b>Shape</b>	Rectangular
<b>Outer Lens Color</b>	Amber
<b>Housing Material</b>	ABS
<b>Housing Color</b>	Black
<b>Mounting Hardware Description</b>	(x2) 1/4"-Palnut SD250095 (7/16" or 11mm Drive)
<b>Mounting Type</b>	Flush Mount
<b>Minimum Operating Temperature</b>	-40 °C / -40 °F
<b>Maximum Operating Temperature</b>	-70 °C / -94 °F
<b>Mating Connector</b>	2-Pin Deutsch DT06-2S
<b>Product Weight</b>	0.15 lbs / 0.07 kgs
<b>Shipping Weight</b>	2.34 lbs / 1.06 kgs



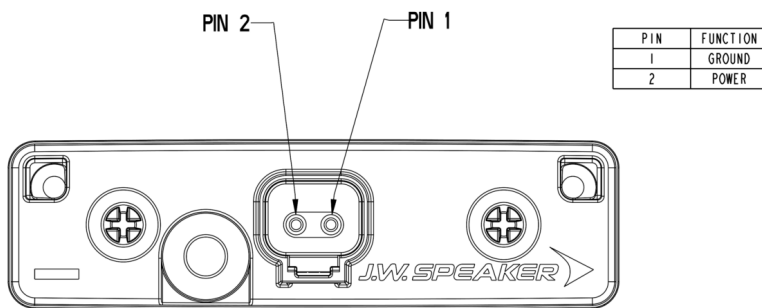
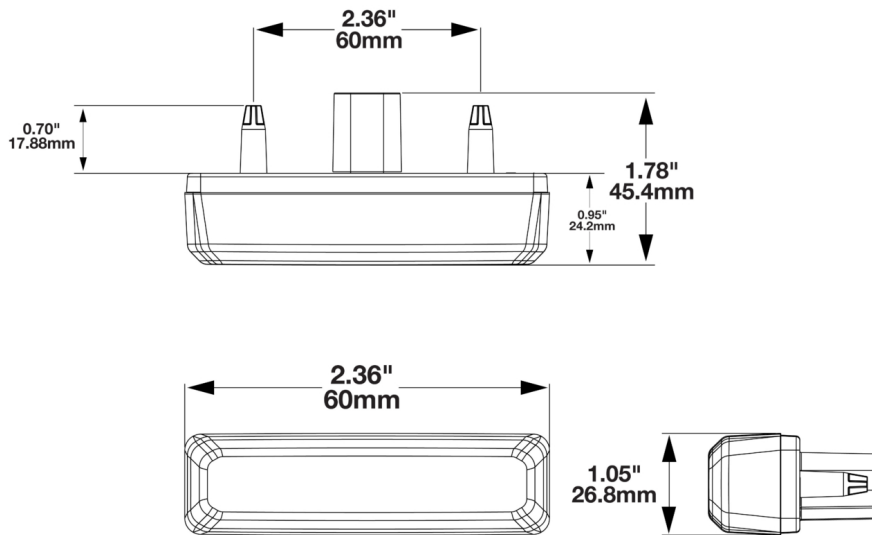
**Print date: 2026-06-09**

© 2026 J.W. Speaker Corporation • Germantown, WI U.S.A.  
www.jwspeaker.com • speaker@jwspeaker.com • 262.251.6660

**J.W. SPEAKER**   
*Engineered. Lighting. Solutions.*

# LED Marker Lights - Model 152

## PRODUCT DIMENSIONS



Print date: 2026-06-09

© 2026 J.W. Speaker Corporation • Germantown, WI U.S.A.  
 www.jwspeaker.com • speaker@jwspeaker.com • 262.251.6660

# LED Marker Lights - Model 152

## ELECTRICAL SPECIFICATIONS

---

<b>Input Voltage</b>	12V DC
<b>Operating Voltage</b>	12V DC
<b>Current Draw</b>	.050A @ 12V DC (Side Marker)

## PRODUCT WARNINGS

---

For California residents:

⚠ **WARNING:** Cancer and reproductive harm - [www.P65Warnings.ca.gov](http://www.P65Warnings.ca.gov).

⚠ **AVERTISSEMENT:** Cancer et effet nocif sur la reproduction - [www.P65Warnings.ca.gov](http://www.P65Warnings.ca.gov).

## RELATED PRODUCTS

---



### **Part Number**

**0230942**

Model 152 Side  
Marker-12V Amber  
ECE-SAE LAMP

---

**Print date: 2026-06-09**

© 2026 J.W. Speaker Corporation • Germantown, WI U.S.A.  
[www.jwspeaker.com](http://www.jwspeaker.com) • [speaker@jwspeaker.com](mailto:speaker@jwspeaker.com) • 262.251.6660