

LED Marker Lights - Model 152

PRODUCT INFORMATION

Description	Model 152 Side Marker-12V Amber ECE- SAE LAMP
Height	26.80 mm / 1.06 in
Width	96.30 mm / 3.79 in
Depth	24.20 mm / 0.95 in
Shape	Rectangular
Outer Lens Color	Amber
Housing Material	ABS
Housing Color	Black
Mounting Hardware Description	(x2) 1/4"-Palnut SD250095 (7/16" or 11mm Drive)
Mounting Type	Flush Mount
Minimum Operating Temperature	-40 °C / -40 °F
Maximum Operating Temperature	-70 °C / -94 °F
Mating Connector	2-Pin Deutsch DT06-2S
Product Weight	0.15 lbs / 0.07 kgs
Shipping Weight	2.34 lbs / 1.06 kgs



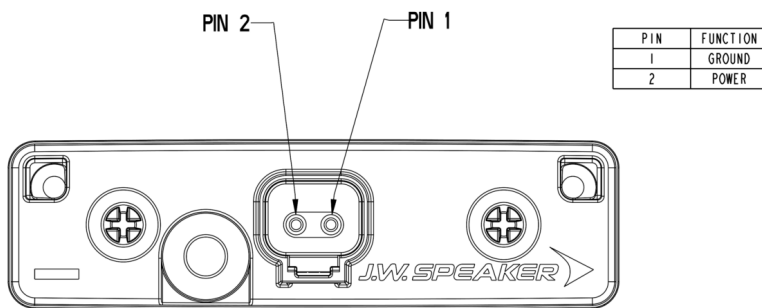
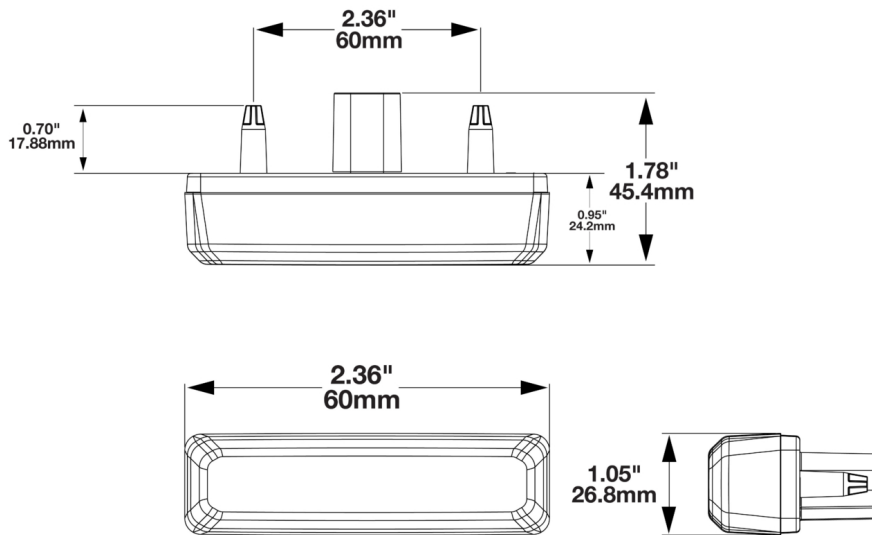
Print date: 2026-05-19

© 2026 J.W. Speaker Corporation • Germantown, WI U.S.A.
www.jwspeaker.com • speaker@jwspeaker.com • 262.251.6660

J.W. SPEAKER 
Engineered. Lighting. Solutions.

LED Marker Lights - Model 152

PRODUCT DIMENSIONS



Print date: 2026-05-19

© 2026 J.W. Speaker Corporation • Germantown, WI U.S.A.
 www.jwspeaker.com • speaker@jwspeaker.com • 262.251.6660

LED Marker Lights - Model 152

ELECTRICAL SPECIFICATIONS

Input Voltage	12V DC
Operating Voltage	12V DC
Current Draw	.050A @ 12V DC (Side Marker)

PRODUCT WARNINGS

For California residents:

⚠ **WARNING:** Cancer and reproductive harm - www.P65Warnings.ca.gov.

⚠ **AVERTISSEMENT:** Cancer et effet nocif sur la reproduction - www.P65Warnings.ca.gov.

RELATED PRODUCTS



Part Number

0230952

Model 152 Side
Marker-12V Red ECE-
SAE LAMP

Print date: 2026-05-19

© 2026 J.W. Speaker Corporation • Germantown, WI U.S.A.
www.jwspeaker.com • speaker@jwspeaker.com • 262.251.6660