

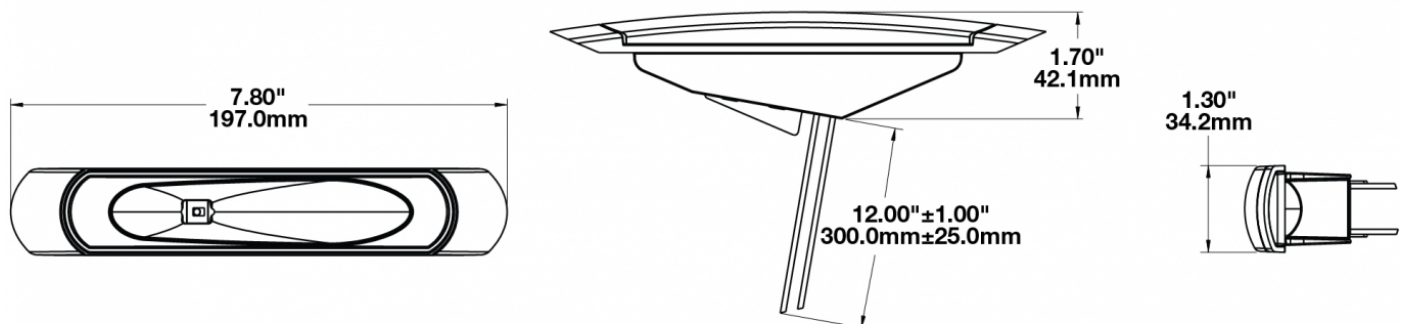
LED Marine Navigation Lights - Model 450

PRODUCT INFORMATION

Description	12-24V LED Starboard (Green) Marine Signal Light
Height	33.02 mm / 1.3 in
Width	198.12 mm / 7.8 in
Depth	43.18 mm / 1.7 in
Shape	Stylized
Outer Lens Material	Polycarbonate
Outer Lens Color	Clear
Housing Material	Polycarbonate
Housing Color	White
Mounting Type	Low Profile Mount
Minimum Operating Temperature	-40 °C / -40 °F
Maximum Operating Temperature	65 °C / 149 °F
Connector or Wiring	12" Bare Leads
Product Weight	0.24 lbs / 0.11 kgs
Shipping Weight	1.26 lbs / 0.57 kgs



PRODUCT DIMENSIONS



Print date: 2026-06-19

© 2026 J.W. Speaker Corporation • Germantown, WI U.S.A.
 www.jwspeaker.com • speaker@jwspeaker.com • 262.251.6660

J.W. SPEAKER
 Engineered. Lighting. Solutions.

LED Marine Navigation Lights - Model 450

ELECTRICAL SPECIFICATIONS

Input Voltage	12-24V DC
Red Wire	Positive
Black Wire	Negative
Current Draw	0.21A @ 12V DC 0.10A @ 24V DC

REGULATORY STANDARDS COMPLIANCE



ABYC A-16
Eco Friendly
USCG COLREGS Part C

Buy America Standards
IEC IP67

PHOTOMETRIC SPECIFICATIONS

Nominal LED Color Temperature 5000 K

APPLICATIONS



PRODUCT WARNINGS

For California residents:

⚠ **WARNING:** Cancer and reproductive harm - www.P65Warnings.ca.gov.

⚠ **AVERTISSEMENT:** Cancer et effet nocif sur la reproduction - www.P65Warnings.ca.gov.

Print date: 2026-06-19

© 2026 J.W. Speaker Corporation • Germantown, WI U.S.A.
www.jwspeaker.com • speaker@jwspeaker.com • 262.251.6660

J.W. SPEAKER
Engineered. Lighting. Solutions.

LED Marine Navigation Lights - Model 450

RELATED PRODUCTS



Part Number
0230681
12-24V LED Port (Red)
Marine Signal Light



Part Number
0230701
12-24V LED Stern
(White) Marine Signal
Light