

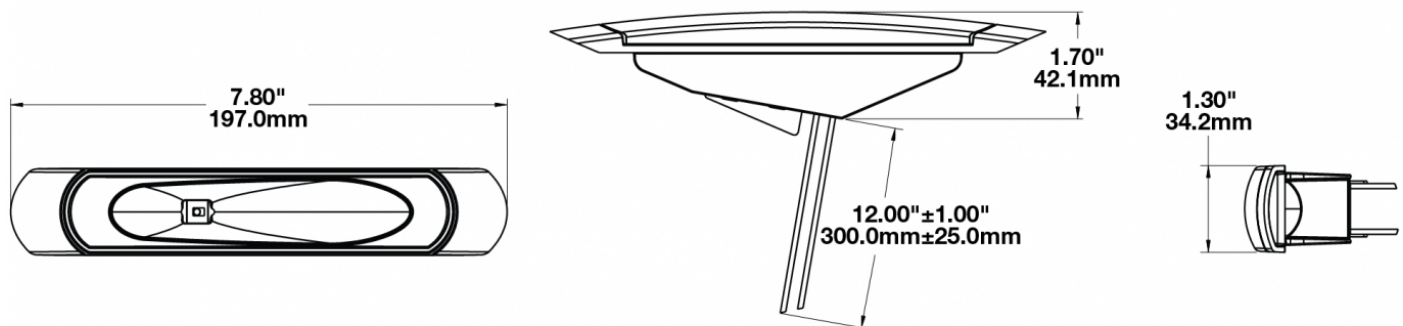
# LED Marine Navigation Lights - Model 450

## PRODUCT INFORMATION

<b>Description</b>	12-24V LED Starboard (Green) Marine Signal Light
<b>Height</b>	33.02 mm / 1.3 in
<b>Width</b>	198.12 mm / 7.8 in
<b>Depth</b>	43.18 mm / 1.7 in
<b>Shape</b>	Stylized
<b>Outer Lens Material</b>	Polycarbonate
<b>Outer Lens Color</b>	Clear
<b>Housing Material</b>	Polycarbonate
<b>Housing Color</b>	White
<b>Mounting Type</b>	Low Profile Mount
<b>Minimum Operating Temperature</b>	-40 °C / -40 °F
<b>Maximum Operating Temperature</b>	65 °C / 149 °F
<b>Connector or Wiring</b>	12" Bare Leads
<b>Product Weight</b>	0.00 lbs / 0 kgs
<b>Shipping Weight</b>	1.26 lbs / 0.57 kgs



## PRODUCT DIMENSIONS



Print date: 2018-10-22

© 2018 J.W. Speaker Corporation • Germantown, WI U.S.A.  
[www.jwspeaker.com](http://www.jwspeaker.com) • [speaker@jwspeaker.com](mailto:speaker@jwspeaker.com) • 262.251.6660

**J.W. SPEAKER®**  
 Engineered. Lighting. Solutions.

# LED Marine Navigation Lights - Model 450

## ELECTRICAL SPECIFICATIONS

---

<b>Input Voltage</b>	12-24V DC
<b>Red Wire</b>	Positive
<b>Black Wire</b>	Negative
<b>Current Draw</b>	0.21A @ 12V DC 0.10A @ 24V DC

## REGULATORY STANDARDS COMPLIANCE

---



ABYC A-16	Buy America Standards
Eco Friendly	IEC IP67
USCG COLREGS Part C	

## PHOTOMETRIC SPECIFICATIONS

---

**Nominal LED Color Temperature** 5000 K

## APPLICATIONS

---



---

**Print date: 2018-10-22**

© 2018 J.W. Speaker Corporation • Germantown, WI U.S.A.  
www.jwspeaker.com • speaker@jwspeaker.com • 262.251.6660

# LED Marine Navigation Lights - Model 450

## RELATED PRODUCTS

---



**Part Number**  
**0230681**  
12-24V LED Port (Red)  
Marine Signal Light



**Part Number**  
**0230701**  
12-24V LED Stern  
(White) Marine Signal  
Light