

LED Lights - Model 784 XD Kit

PRODUCT INFORMATION

Description	12-24V ECE LED Daytime Running Light - 2 Light Kit
Height	54.10 mm / 2.13 in
Width	169.67 mm / 6.68 in
Depth	45.21 mm / 1.78 in
Shape	Rectangle
Outer Lens Material	Polycarbonate
Outer Lens Color	Clear
Housing Material	Polycarbonate
Housing Color	Black
Mounting Hardware Description	(x1) 3/8"-16 x 1.5" Mounting Bolt
Mounting Type	Universal Mount
Minimum Operating Temperature	-40 °C / -40 °F
Maximum Operating Temperature	65 °C / 149 °F
Connector or Wiring	Integral DT04-2P
Mating Connector	Deutsch DT06-2S
Additional Information	Kit includes (2) lamps, (1) relay kit and (1) instruction.



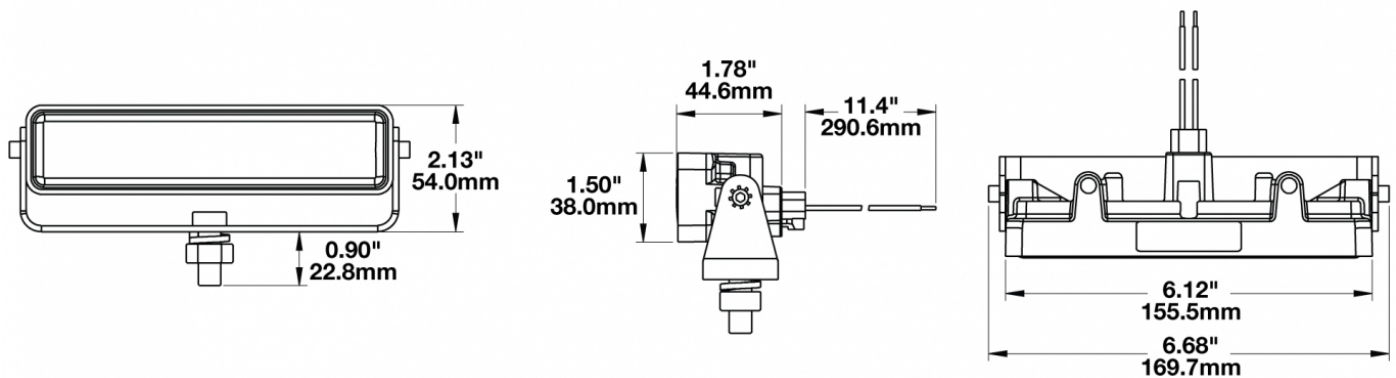
Print date: 2018-08-18

© 2018 J.W. Speaker Corporation • Germantown, WI U.S.A.
 www.jwspeaker.com • speaker@jwspeaker.com • 262.251.6660

J.W. SPEAKER 
 Engineered. Lighting. Solutions.

LED Lights - Model 784 XD Kit

PRODUCT DIMENSIONS



ELECTRICAL SPECIFICATIONS

Input Voltage	12-24V DC
Operating Voltage	9-36V DC
Transient Spike Protection	150V Peak @ 1 HZ-100 Pulses
Red Wire	Positive
Black Wire	Negative
Current Draw	0.28A @ 12V DC (DRL) 0.17A @ 24V DC (DRL)

REGULATORY STANDARDS COMPLIANCE



Buy America Standards
Eco Friendly

ECE Reg 87
IEC IP67

Print date: 2018-08-18

© 2018 J.W. Speaker Corporation • Germantown, WI U.S.A.
www.jwspeaker.com • speaker@jwspeaker.com • 262.251.6660

LED Lights - Model 784 XD Kit

PHOTOMETRIC SPECIFICATIONS

Raw Lumen Output	240
Effective Lumen Output	140
Candela Output	700
Nominal LED Color Temperature	5000 K
Beam Pattern(s)	Forward Lighting - Daytime Running Light

APPLICATIONS



Print date: 2018-08-18

© 2018 J.W. Speaker Corporation • Germantown, WI U.S.A.
www.jwspeaker.com • speaker@jwspeaker.com • 262.251.6660

