

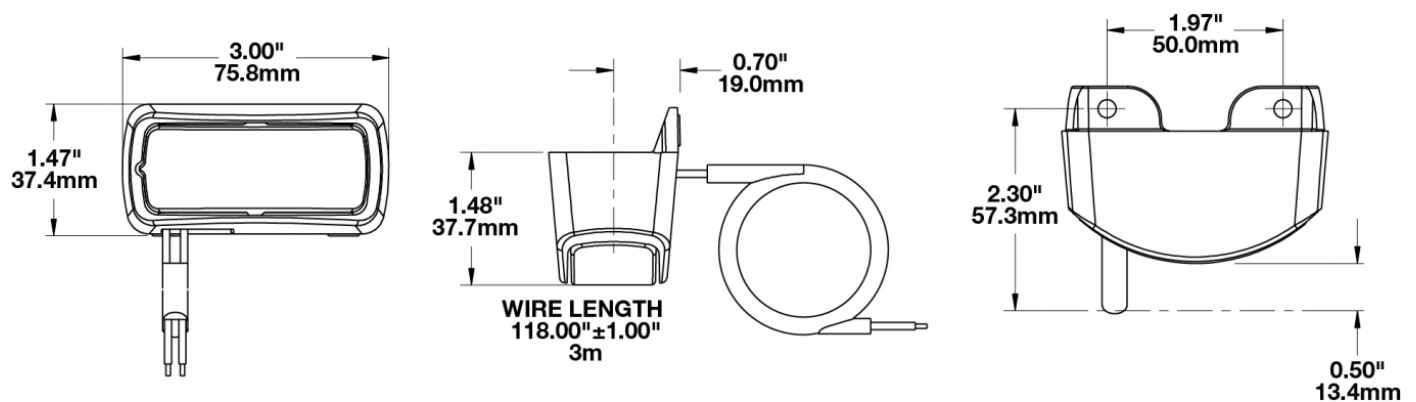
# LED License Plate Light - Model 151

## PRODUCT INFORMATION

<b>Description</b>	12-24V DOT/ECE LED License Plate Light
<b>Height</b>	37.34 mm / 1.47 in
<b>Width</b>	76.20 mm / 3 in
<b>Depth</b>	37.59 mm / 1.48 in
<b>Shape</b>	Rectangular
<b>Outer Lens Material</b>	Acrylic
<b>Outer Lens Color</b>	Clear
<b>Housing Material</b>	ABS
<b>Housing Color</b>	Black
<b>Mounting Type</b>	Low Profile Mount
<b>Minimum Operating Temperature</b>	-40 °C / -40 °F
<b>Maximum Operating Temperature</b>	65 °C / 149 °F
<b>Connector or Wiring</b>	118" 20 AWG Jacketed Cable
<b>Product Weight</b>	0.16 lbs / 0.07 kgs
<b>Shipping Weight</b>	1.10 lbs / 0.5 kgs



## PRODUCT DIMENSIONS



Print date: 2019-02-17

© 2019 J.W. Speaker Corporation • Germantown, WI U.S.A.  
 www.jwspeaker.com • speaker@jwspeaker.com • 262.251.6660

**J.W. SPEAKER**  
 Engineered. Lighting. Solutions.

# LED License Plate Light - Model 151

## ELECTRICAL SPECIFICATIONS

<b>Input Voltage</b>	12-24V DC
<b>Red Wire</b>	Positive
<b>Black Wire</b>	Negative
<b>Current Draw</b>	0.070 (Max)A @ 12V DC

## REGULATORY STANDARDS COMPLIANCE



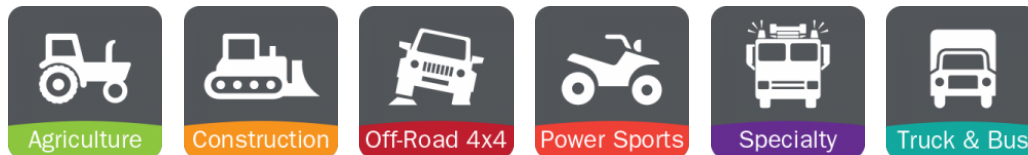
Buy America Standards  
ECE Reg 50

ECE Reg 4  
Eco Friendly

## PHOTOMETRIC SPECIFICATIONS

<b>Nominal LED Color Temperature</b>	5000 K
<b>Beam Pattern(s)</b>	Signalization - License Plate Illuminator

## APPLICATIONS



Print date: 2019-02-17

© 2019 J.W. Speaker Corporation • Germantown, WI U.S.A.  
www.jwspeaker.com • speaker@jwspeaker.com • 262.251.6660

**J.W. SPEAKER**  
Engineered. Lighting. Solutions.