

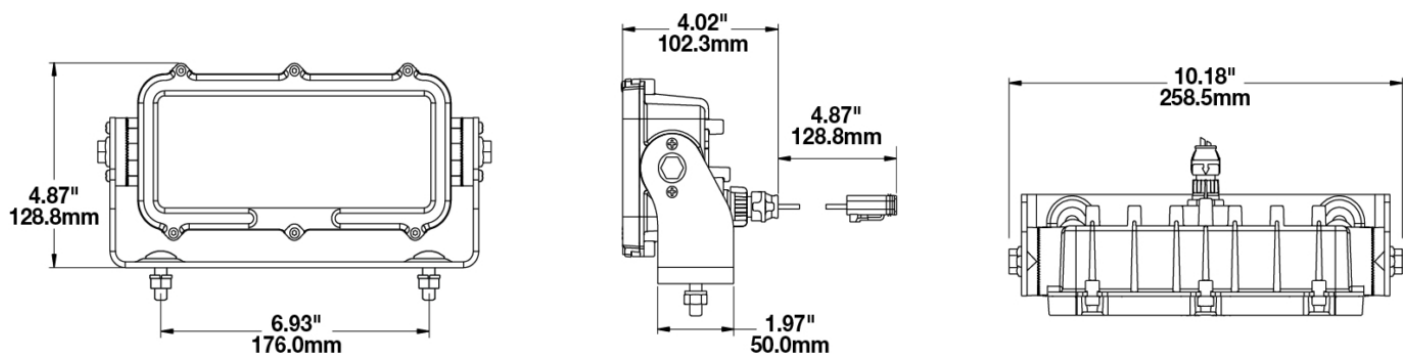
# LED Safety Lights and Warning Lights - Model 527

## PRODUCT INFORMATION

<b>Description</b>	12-24V LED Amber & Green Signal Light
<b>Height</b>	123.70 mm / 4.87 in
<b>Width</b>	258.57 mm / 10.18 in
<b>Depth</b>	102.11 mm / 4.02 in
<b>Shape</b>	Rectangular
<b>Outer Lens Material</b>	Acrylic
<b>Outer Lens Color</b>	Diffused White
<b>Housing Material</b>	Xenoy
<b>Housing Color</b>	Black
<b>Bezel Color</b>	Black
<b>Mounting Hardware Description</b>	(x2) M8-1.28 Mounting Bolt
<b>Mounting Type</b>	Universal Pedestal Mount
<b>Minimum Operating Temperature</b>	-40 °C / -40 °F
<b>Maximum Operating Temperature</b>	65 °C / 149 °F
<b>Connector or Wiring</b>	ICONN IMATE 23 3-POS, MALE
<b>Mating Connector</b>	ICONN IMATE 23 3-POS, FEMALE



## PRODUCT DIMENSIONS



Print date: 2024-06-13

© 2024 J.W. Speaker Corporation • Germantown, WI U.S.A.  
 www.jwspeaker.com • speaker@jwspeaker.com • 262.251.6660

**J.W. SPEAKER**  
 Engineered. Lighting. Solutions.

# LED Safety Lights and Warning Lights - Model 527

## ELECTRICAL SPECIFICATIONS

---

<b>Input Voltage</b>	12-24V DC
<b>Operating Voltage</b>	10-32V DC
<b>Transient Spike Protection</b>	150V Peak @ 1 HZ-100 Pul
<b>Black Wire</b>	Ground
<b>Red Wire</b>	Amber
<b>Green Wire</b>	Green
<b>Current Draw</b>	1.2A @ 12V DC (Amber) 1.2A @ 12V DC (Green) 0.7A @ 24V DC (Amber) 0.7A @ 24V DC (Green)

## REGULATORY STANDARDS COMPLIANCE

---



IEC IP69K

## APPLICATIONS

---



---

**Print date: 2024-06-13**

© 2024 J.W. Speaker Corporation • Germantown, WI U.S.A.  
www.jwspeaker.com • speaker@jwspeaker.com • 262.251.6660

# LED Safety Lights and Warning Lights - Model 527

## PRODUCT WARNINGS

---

For California residents:

⚠ **WARNING:** Cancer and reproductive harm - [www.P65Warnings.ca.gov](http://www.P65Warnings.ca.gov).

⚠ **AVERTISSEMENT:** Cancer et effet nocif sur la reproduction - [www.P65Warnings.ca.gov](http://www.P65Warnings.ca.gov).

## ACCESSORIES

---



**Part Number**

**8200151**

Rock Guard Kit for  
Model 527

## RELATED PRODUCTS

---



**Part Number**

**0549271**

12-24V LED Red Zone  
Light



**Part Number**

**0551261**

12-24V LED White  
Zone Light



**Part Number**

**0551271**

12-24V LED Green  
Zone Light



**Part Number**

**0551281**

12-24V LED Amber  
Zone Light

---

**Print date: 2024-06-13**

© 2024 J.W. Speaker Corporation • Germantown, WI U.S.A.  
[www.jwspeaker.com](http://www.jwspeaker.com) • [speaker@jwspeaker.com](mailto:speaker@jwspeaker.com) • 262.251.6660