

LED Safety Lights and Warning Lights - Model 527

PRODUCT INFORMATION

Description	12-24V LED Amber Zone Light
Height	123.70 mm / 4.87 in
Width	258.57 mm / 10.18 in
Depth	102.11 mm / 4.02 in
Shape	Rectangular
Outer Lens Material	Glass
Outer Lens Color	Clear
Housing Material	Xenoy
Housing Color	Black
Mounting Hardware Description	(x2) M8-1.25 Mounting Bolt
Mounting Type	Universal Pedestal Mount
Minimum Operating Temperature	-40 °C / -40 °F
Maximum Operating Temperature	65 °C / 149 °F
Connector or Wiring	Integrated 2-Pin Deutsch Weatherproof Socket (DT04-2P)
Mating Connector	Integrated 2-Pin Deutsch Weatherproof Plug (DT06-2S)
Product Weight	2.60 lbs / 1.18 kgs
Shipping Weight	5.60 lbs / 2.54 kgs



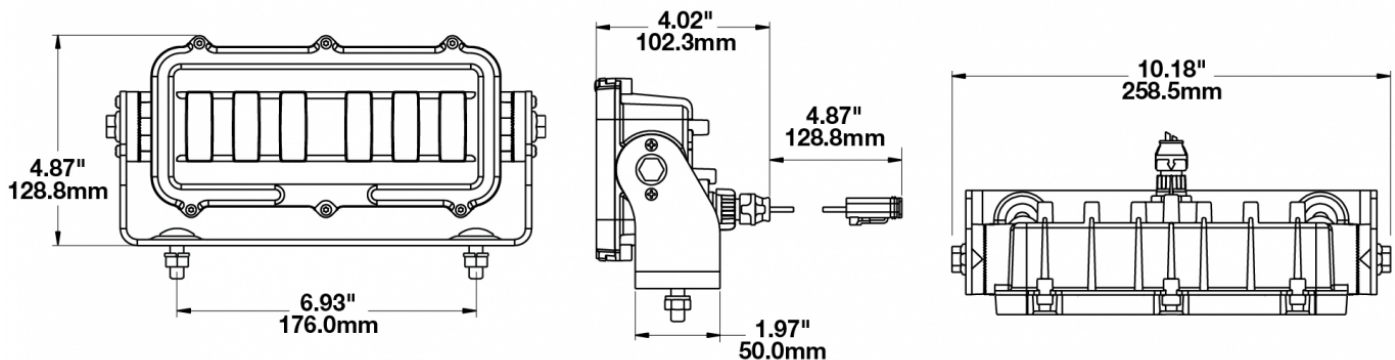
Print date: 2026-06-12

© 2026 J.W. Speaker Corporation • Germantown, WI U.S.A.
 www.jwspeaker.com • speaker@jwspeaker.com • 262.251.6660

J.W. SPEAKER 
 Engineered. Lighting. Solutions.

LED Safety Lights and Warning Lights - Model 527

PRODUCT DIMENSIONS



ELECTRICAL SPECIFICATIONS

Input Voltage	12-24V DC
Operating Voltage	10-32V DC
Transient Spike Protection	150V Peak @ 1 HZ-100 Pul
RED Wire	Positive
BLACK Wire	Negative
Current Draw	1.2A @ 12V DC .8A @ 24V DC

REGULATORY STANDARDS COMPLIANCE



Buy America Standards
IEC IP69K

Eco Friendly

Print date: 2026-06-12

© 2026 J.W. Speaker Corporation • Germantown, WI U.S.A.
www.jwspeaker.com • speaker@jwspeaker.com • 262.251.6660

LED Safety Lights and Warning Lights - Model 527

PHOTOMETRIC SPECIFICATIONS

Raw Lumen Output	960
Effective Lumen Output	400
Beam Pattern(s)	Forward Lighting - Spot Warning - Keep Out Zone

APPLICATIONS



PRODUCT WARNINGS

For California residents:

⚠ **WARNING:** Cancer and reproductive harm - www.P65Warnings.ca.gov.

⚠ **AVERTISSEMENT:** Cancer et effet nocif sur la reproduction - www.P65Warnings.ca.gov.

ACCESSORIES



Part Number
8200151

Rock Guard Kit for
Model 527

Print date: 2026-06-12

© 2026 J.W. Speaker Corporation • Germantown, WI U.S.A.
www.jwspeaker.com • speaker@jwspeaker.com • 262.251.6660

LED Safety Lights and Warning Lights - Model 527

RELATED PRODUCTS



Part Number
0549271
12-24V LED Red Zone
Light



Part Number
0551261
12-24V LED White
Zone Light



Part Number
0551271
12-24V LED Green
Zone Light