

# LED Safety Lights and Warning Lights - Model 527

## PRODUCT INFORMATION

|                                      |  |
|--------------------------------------|--|
| <b>Description</b>                   | 12-24V LED Green Zone Light  |
| <b>Height</b>                        | 123.70 mm / 4.87 in  |
| <b>Width</b>                         | 258.57 mm / 10.18 in   |
| <b>Depth</b>                         | 102.11 mm / 4.02 in  |
| <b>Shape</b>                         | Rectangular  |
| <b>Outer Lens Material</b>           | Glass  |
| <b>Outer Lens Color</b>              | Clear  |
| <b>Housing Material</b>              | Xenoy  |
| <b>Housing Color</b>                 | Black  |
| <b>Mounting Hardware Description</b> | (x2) M8-1.25 Mounting Bolt   |
| <b>Mounting Type</b>                 | Universal Pedestal Mount   |
| <b>Minimum Operating Temperature</b> | -40 °C / -40 °F  |
| <b>Maximum Operating Temperature</b> | 65 °C / 149 °F   |
| <b>Connector or Wiring</b>           | Integrated 2-Pin Deutsch Weatherproof Socket (DT04-2P)   |
| <b>Mating Connector</b>              | Integrated 2-Pin Deutsch Weatherproof Plug (DT06-2S)   |
| <b>Product Weight</b>                | 2.60 lbs / 1.18 kgs  |
| <b>Shipping Weight</b>               | 3.08 lbs / 1.4 kgs   |
| <b>Additional Information</b>        | Due to the chromaticity of the green light, the green Model 527 will easily shine through fog. |



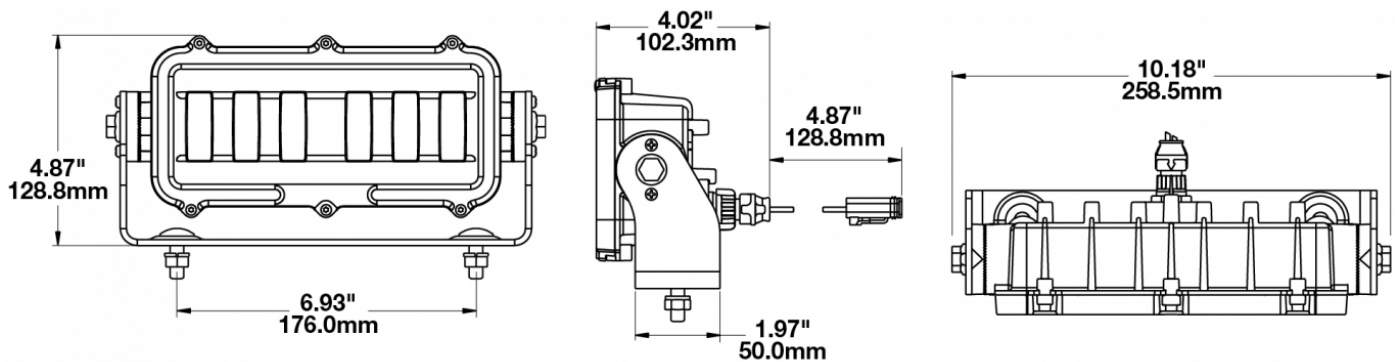
**Print date: 2026-04-10**

© 2026 J.W. Speaker Corporation • Germantown, WI U.S.A.  
 www.jwspeaker.com • speaker@jwspeaker.com • 262.251.6660

**J.W. SPEAKER**  
 Engineered. Lighting. Solutions.

# LED Safety Lights and Warning Lights - Model 527

## PRODUCT DIMENSIONS



## ELECTRICAL SPECIFICATIONS

|                                   |                               |
|-----------------------------------|-------------------------------|
| <b>Input Voltage</b>              | 12-24V DC                     |
| <b>Operating Voltage</b>          | 10-32V DC                     |
| <b>Transient Spike Protection</b> | 150V Peak @ 1 HZ-100 Pul      |
| <b>Red Wire</b>                   | Positive                      |
| <b>Black Wire</b>                 | Negative                      |
| <b>Current Draw</b>               | 1.2A @ 12V DC<br>.8A @ 24V DC |

## REGULATORY STANDARDS COMPLIANCE



Buy America Standards  
IEC IP69K

Eco Friendly

Print date: 2026-04-10

© 2026 J.W. Speaker Corporation • Germantown, WI U.S.A.  
www.jwspeaker.com • speaker@jwspeaker.com • 262.251.6660

**J.W. SPEAKER**  
Engineered. Lighting. Solutions.

# LED Safety Lights and Warning Lights - Model 527

## PHOTOMETRIC SPECIFICATIONS

---

**Raw Lumen Output** 1,500  
**Effective Lumen Output** 590  
**Beam Pattern(s)** Forward Lighting - Spot  
Warning - Keep Out Zone

## APPLICATIONS

---



## PRODUCT WARNINGS

---

For California residents:

⚠ **WARNING:** Cancer and reproductive harm - [www.P65Warnings.ca.gov](http://www.P65Warnings.ca.gov).

⚠ **AVERTISSEMENT:** Cancer et effet nocif sur la reproduction - [www.P65Warnings.ca.gov](http://www.P65Warnings.ca.gov).

## ACCESSORIES

---



**Part Number**  
**8200151**

Rock Guard Kit for  
Model 527

---

**Print date: 2026-04-10**

© 2026 J.W. Speaker Corporation • Germantown, WI U.S.A.  
[www.jwspeaker.com](http://www.jwspeaker.com) • [speaker@jwspeaker.com](mailto:speaker@jwspeaker.com) • 262.251.6660

# LED Safety Lights and Warning Lights - Model 527

## RELATED PRODUCTS

---



**Part Number**  
**0549271**  
12-24V LED Red Zone  
Light



**Part Number**  
**0551261**  
12-24V LED White  
Zone Light



**Part Number**  
**0551281**  
12-24V LED Amber  
Zone Light