

LED Safety Lights and Warning Lights - Model 527

PRODUCT INFORMATION

| | |
|--------------------------------------|--|
| Description | 12-24V LED Red Zone Light |
| Height | 123.70 mm / 4.87 in |
| Width | 258.57 mm / 10.18 in |
| Depth | 102.11 mm / 4.02 in |
| Shape | Rectangle |
| Outer Lens Material | Glass |
| Outer Lens Color | Clear |
| Housing Material | Xenoy |
| Housing Color | Black |
| Mounting Hardware Description | (x2) M8-1.25 Mounting Bolt |
| Mounting Type | Universal Pedestal Mount |
| Minimum Operating Temperature | -40 °C / -40 °F |
| Maximum Operating Temperature | 65 °C / 149 °F |
| Connector or Wiring | Integrated 2-Pin Deutsch Weatherproof Socket (DT04-2P) |
| Mating Connector | Integrated 2-Pin Deutsch Weatherproof Plug (DT06-2S) |
| Product Weight | 2.60 lbs / 1.18 kgs |
| Shipping Weight | 3.11 lbs / 1.41 kgs |
| Additional Information | The dominant wavelength is about 615nm. |



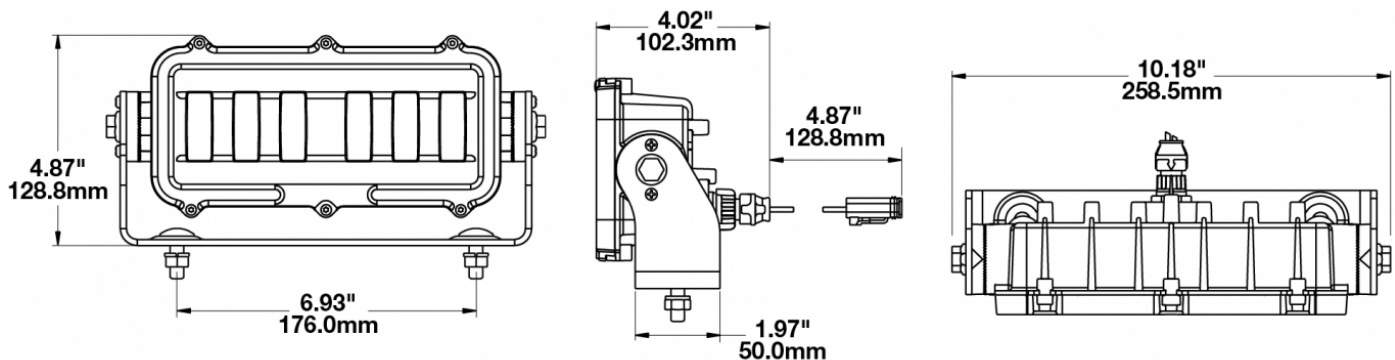
Print date: 2025-01-15

© 2025 J.W. Speaker Corporation • Germantown, WI U.S.A.
 www.jwspeaker.com • speaker@jwspeaker.com • 262.251.6660

J.W. SPEAKER
 Engineered. Lighting. Solutions.

LED Safety Lights and Warning Lights - Model 527

PRODUCT DIMENSIONS



ELECTRICAL SPECIFICATIONS

| | |
|-----------------------------------|---------------------------------|
| Input Voltage | 12-24V DC |
| Operating Voltage | 10-32V DC |
| Transient Spike Protection | 150V peak @ 1 HZ-100 Pulses |
| Red Wire | Positive |
| Black Wire | Negative |
| Current Draw | 1.6A @ 12V DC 0.85A @ 24V DC |

REGULATORY STANDARDS COMPLIANCE



Buy America Standards
IEC IP69K

Eco Friendly

Print date: 2025-01-15

© 2025 J.W. Speaker Corporation • Germantown, WI U.S.A.
www.jwspeaker.com • speaker@jwspeaker.com • 262.251.6660

LED Safety Lights and Warning Lights - Model 527

PHOTOMETRIC SPECIFICATIONS

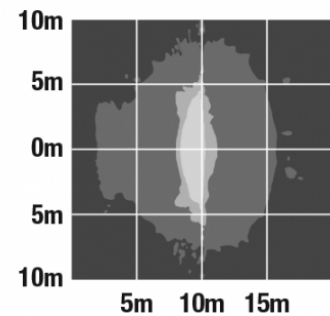
Raw Lumen Output 720
Effective Lumen Output 670
Beam Pattern(s) Forward Lighting - Spot
 Warning - Keep Out Zone

10+ Lux

1 Lux

0.25 Lux

“Keep Out” Pattern (6m high at 0°)



APPLICATIONS



PRODUCT WARNINGS

For California residents:

⚠ **WARNING:** Cancer and reproductive harm - www.P65Warnings.ca.gov.

⚠ **AVERTISSEMENT:** Cancer et effet nocif sur la reproduction - www.P65Warnings.ca.gov.

Print date: 2025-01-15

© 2025 J.W. Speaker Corporation • Germantown, WI U.S.A.
www.jwspeaker.com • speaker@jwspeaker.com • 262.251.6660

J.W. SPEAKER
 Engineered. Lighting. Solutions.

LED Safety Lights and Warning Lights - Model 527

ACCESSORIES



Part Number
8200151

Rock Guard Kit for
Model 527

RELATED PRODUCTS



Part Number
0551261

12-24V LED White
Zone Light



Part Number
0551271

12-24V LED Green
Zone Light



Part Number
0551281

12-24V LED Amber
Zone Light



Part Number
0647021

12-24V LED Amber &
Green Signal Light