

LED Jeep Turn Signals - Model 239 J2 Series

PRODUCT INFORMATION

Description	12V DOT/ECE LED Round Turn Signals with Clear Lens - 2 Light Kit
Height	89.00 mm / 3.5 in
Width	89.00 mm / 3.5 in
Depth	56.00 mm / 2.2 in
Shape	Round
Outer Lens Material	Acrylic
Outer Lens Color	Clear
Housing Material	Aluminum
Housing Color	Black
Mounting Hardware Description	(x1) JK Mounting Bracket w/ SS bolt
Retrofits	Factory Jeep JK Front Turn Signals
Minimum Operating Temperature	-40 °C / -40 °F
Maximum Operating Temperature	60 °C / 140 °F
Connector or Wiring	Leads with Connector
Mating Connector	Delphi 13590270
Product Weight	0.90 lbs / 0.41 kgs
Shipping Weight	1.36 lbs / 0.62 kgs



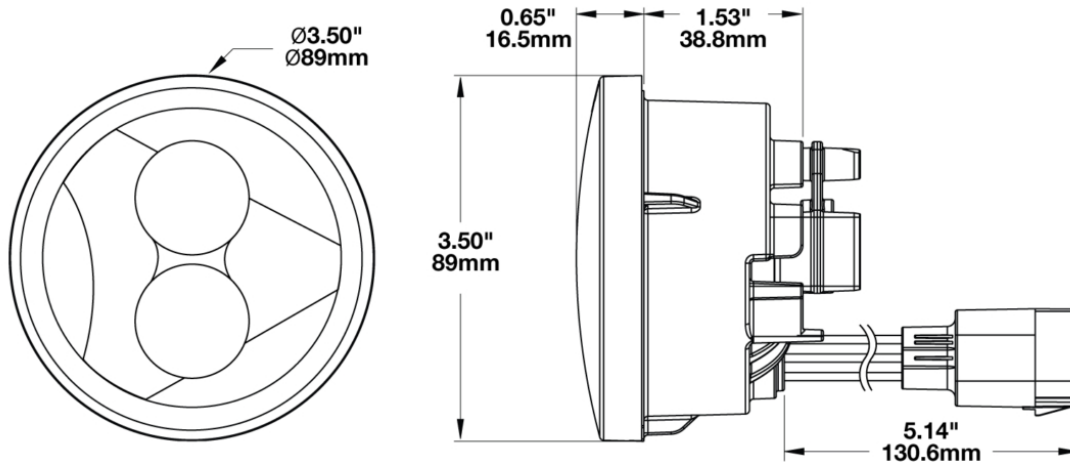
Print date: 2026-06-13

© 2026 J.W. Speaker Corporation • Germantown, WI U.S.A.
 www.jwspeaker.com • speaker@jwspeaker.com • 262.251.6660

J.W. SPEAKER 
 Engineered. Lighting. Solutions.

LED Jeep Turn Signals - Model 239 J2 Series

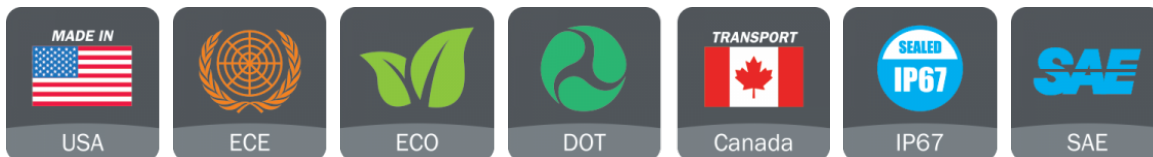
PRODUCT DIMENSIONS



ELECTRICAL SPECIFICATIONS

Input Voltage	12V DC
Operating Voltage	9-16V DC
Current Draw	0.09A @ 12V DC (Front Position) 1.91A @ 12V DC (Turn)

REGULATORY STANDARDS COMPLIANCE



Buy America Standards	ECE Reg 6
Eco Friendly	FMVSS 108 s7.1 (Table VI)
IEC IP67	SAE J588

Print date: 2026-06-13

© 2026 J.W. Speaker Corporation • Germantown, WI U.S.A.
www.jwspeaker.com • speaker@jwspeaker.com • 262.251.6660

J.W. SPEAKER
Engineered. Lighting. Solutions.

LED Jeep Turn Signals - Model 239 J2 Series

PHOTOMETRIC SPECIFICATIONS

Beam Pattern(s) Signalization - Front Position
Signalization - Turn (Front)

APPLICATIONS



PRODUCT WARNINGS

For California residents:

⚠ **WARNING:** Cancer and reproductive harm - www.P65Warnings.ca.gov.

⚠ **AVERTISSEMENT:** Cancer et effet nocif sur la reproduction - www.P65Warnings.ca.gov.

RELATED PRODUCTS



Part Number

0346483

12V DOT/ECE LED
Round Turn Signals
with Amber Lens - 2
Light Kit



Part Number

0346503

12V DOT/ECE LED
Round Turn Signals
with Smoked Lens - 2
Light Kit