

# LED Jeep Turn Signals - Model 239 J2 Series

## PRODUCT INFORMATION

<b>Description</b>	12V DOT/ECE LED Round Turn Signals with Amber Lens - 2 Light Kit
<b>Height</b>	89.00 mm / 3.5 in
<b>Width</b>	89.00 mm / 3.5 in
<b>Depth</b>	56.00 mm / 2.2 in
<b>Shape</b>	Round
<b>Outer Lens Material</b>	Acrylic
<b>Outer Lens Color</b>	Amber
<b>Housing Material</b>	Aluminum
<b>Housing Color</b>	Black
<b>Mounting Hardware Description</b>	(x1) JK Mounting Bracket w/ SS bolt
<b>Retrofits</b>	Factory Jeep JK Front Turn Signals
<b>Minimum Operating Temperature</b>	-40 °C / -40 °F
<b>Maximum Operating Temperature</b>	60 °C / 140 °F
<b>Connector or Wiring</b>	Leads with Connector
<b>Mating Connector</b>	Delphi 13590270
<b>Product Weight</b>	0.90 lbs / 0.41 kgs
<b>Shipping Weight</b>	1.36 lbs / 0.62 kgs



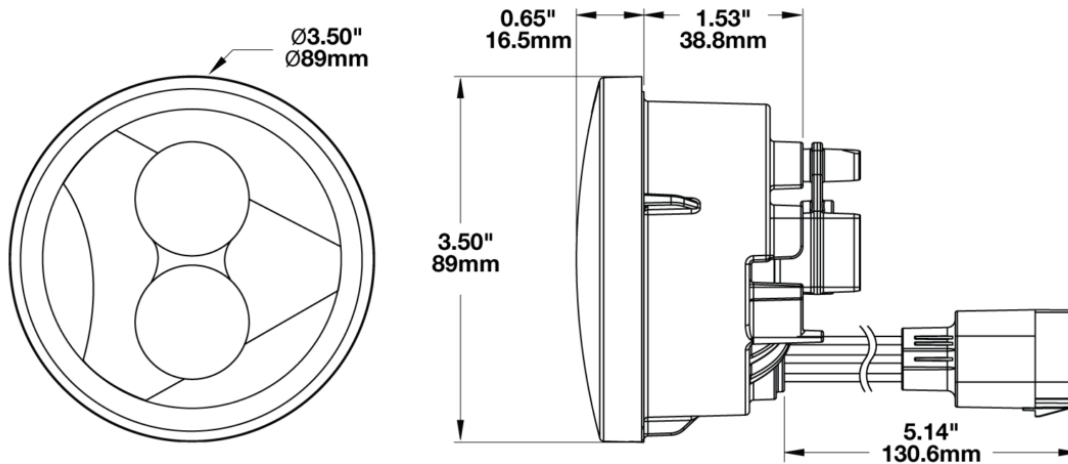
Print date: 2018-10-21

© 2018 J.W. Speaker Corporation • Germantown, WI U.S.A.  
 www.jwspeaker.com • speaker@jwspeaker.com • 262.251.6660

**J.W. SPEAKER**   
 Engineered. Lighting. Solutions.

# LED Jeep Turn Signals - Model 239 J2 Series

## PRODUCT DIMENSIONS



## ELECTRICAL SPECIFICATIONS

<b>Input Voltage</b>	12V DC
<b>Operating Voltage</b>	9-16V DC
<b>Current Draw</b>	0.09A @ 12V DC (Front Position) 1.91A @ 12V DC (Turn)

## REGULATORY STANDARDS COMPLIANCE



Buy America Standards  
Eco Friendly  
IEC IP67

ECE Reg 6  
FMVSS 108 Table VI  
SAE J588

Print date: 2018-10-21

© 2018 J.W. Speaker Corporation • Germantown, WI U.S.A.  
www.jwspeaker.com • speaker@jwspeaker.com • 262.251.6660

**J.W. SPEAKER**  
Engineered. Lighting. Solutions.

# LED Jeep Turn Signals - Model 239 J2 Series

## PHOTOMETRIC SPECIFICATIONS

---

**Beam Pattern(s)**      Signalization - Front Position  
Signalization - Turn (Front)

## APPLICATIONS

---



## RELATED PRODUCTS

---



**Part Number**  
**0346493**  
12V DOT/ECE LED  
Round Turn Signals  
with Clear Lens - 2  
Light Kit



**Part Number**  
**0346503**  
12V DOT/ECE LED  
Round Turn Signals  
with Smoked Lens - 2  
Light Kit