

# LED Fog Lights - Model 6145 JL

## PRODUCT INFORMATION

---

<b>Description</b>	Model 6145 - LED Jeep JL Rubicon Fog Lights Kit - Black
<b>Height</b>	167.00 mm / 6.57 in
<b>Width</b>	107.00 mm / 4.21 in
<b>Depth</b>	88.39 mm / 3.48 in
<b>Shape</b>	Round
<b>Outer Lens Material</b>	Polycarbonate
<b>Outer Lens Color</b>	Clear
<b>Housing Material</b>	Aluminum
<b>Housing Color</b>	Black
<b>Bezel Color</b>	Black
<b>Mounting Type</b>	Bumper Mount
<b>Retrofits</b>	Jeep JL Rubicon
<b>Minimum Operating Temperature</b>	-40 °C / -40 °F
<b>Maximum Operating Temperature</b>	65 °C / 149 °F
<b>Mating Connector</b>	Jeep OEM wire harness
<b>Product Weight</b>	1.80 lbs / 0.82 kgs
<b>Shipping Weight</b>	2.30 lbs / 1.04 kgs



---

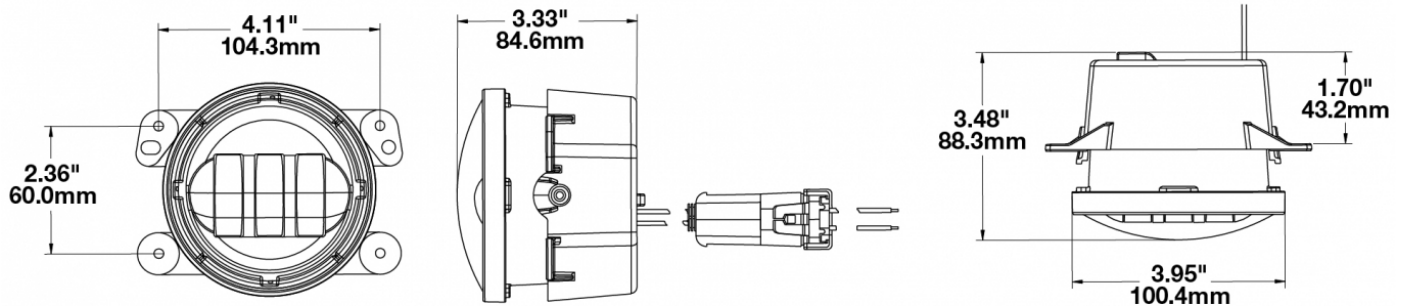
**Print date: 2020-11-24**

© 2020 J.W. Speaker Corporation • Germantown, WI U.S.A.  
www.jwspeaker.com • speaker@jwspeaker.com • 262.251.6660

**J.W. SPEAKER®**  
Engineered. Lighting. Solutions.

# LED Fog Lights - Model 6145 JL

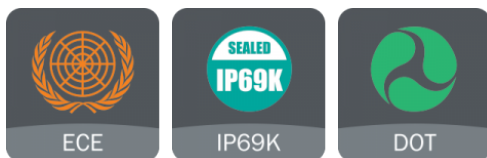
## PRODUCT DIMENSIONS



## ELECTRICAL SPECIFICATIONS

<b>Input Voltage</b>	12V DC
<b>Operating Voltage</b>	10-15V DC
<b>Transient Spike Protection</b>	150V Peak @ 1 HZ-100 Pul
<b>Red Wire</b>	Positive
<b>Black Wire</b>	Ground
<b>Current Draw</b>	1.6A @ 12V DC

## REGULATORY STANDARDS COMPLIANCE



ECE Reg 19  
SAE J583

IEC IP69K  
Tested to ECE Reg. 10  
(Radiated Emissions only)

Print date: 2020-11-24

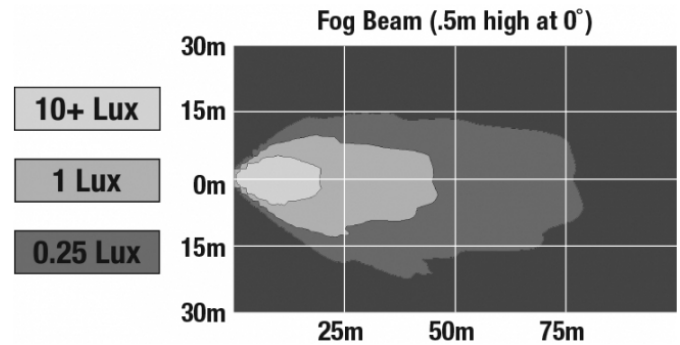
© 2020 J.W. Speaker Corporation • Germantown, WI U.S.A.  
www.jwspeaker.com • speaker@jwspeaker.com • 262.251.6660

**J.W. SPEAKER**  
Engineered. Lighting. Solutions.

# LED Fog Lights - Model 6145 JL

## PHOTOMETRIC SPECIFICATIONS

<b>Raw Lumen Output</b>	1080
<b>Effective Lumen Output</b>	610
<b>Nominal LED Color Temperature</b>	5000 K
<b>Beam Pattern(s)</b>	Forward Lighting - Fog



## APPLICATIONS



## PRODUCT WARNINGS

For California residents:

⚠ **WARNING:** Cancer and reproductive harm - [www.P65Warnings.ca.gov](http://www.P65Warnings.ca.gov).

⚠ **AVERTISSEMENT:** Cancer et effet nocif sur la reproduction - [www.P65Warnings.ca.gov](http://www.P65Warnings.ca.gov).

Print date: 2020-11-24

© 2020 J.W. Speaker Corporation • Germantown, WI U.S.A.  
[www.jwspeaker.com](http://www.jwspeaker.com) • [speaker@jwspeaker.com](mailto:speaker@jwspeaker.com) • 262.251.6660

**J.W. SPEAKER**  
 Engineered. Lighting. Solutions.

# LED Fog Lights - Model 6145 JL

## RELATED PRODUCTS

---



**Part Number**  
**0557981**

Model 6145 - LED Jeep  
Fog Light - Black -  
(Service)



**Part Number**  
**0557983**

Model 6145 - LED Jeep  
JL Fog Lights Kit - Black



**Part Number**  
**0558003**

Model 6145 - LED Jeep  
JL Sport Fog Lights Kit -  
Black



**Part Number**  
**0558051**

Model 6145 - LED Jeep  
JL Rubicon Fog Light-  
Black - Lefthand (Single  
Light)



**Part Number**  
**0558061**

Model 6145 - LED Jeep  
JL Rubicon Fog Light-  
Black - Righthand  
(Single Light)



**Part Number**  
**0558071**

Model 6145 - LED Jeep  
JL Sport Fog Light-  
Black - Lefthand (Single  
Light)



**Part Number**  
**0558081**

Model 6145 - LED Jeep  
JL Sport Fog Light-  
Black - Righthand  
(Single Light)