

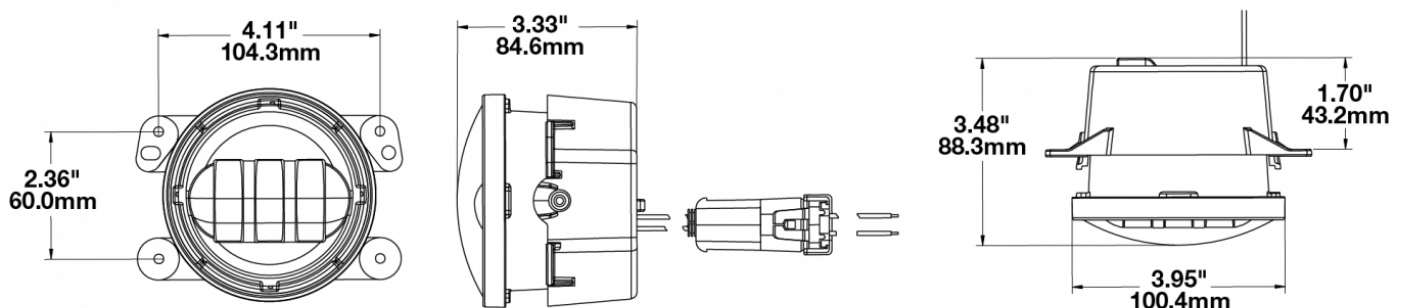
LED Fog Lights - Model 6145

PRODUCT INFORMATION

Description	12V SAE/ECE RHT & LHT LED Fog Light with Black Inner Bezel
Height	100.08 mm / 3.94 in
Width	125.73 mm / 4.95 in
Depth	88.39 mm / 3.48 in
Shape	Round
Outer Lens Material	Hardcoated Polycarbonate
Outer Lens Color	Clear
Housing Material	Die-Cast Aluminum
Housing Color	Black
Bezel Color	Black
Mounting Type	Bumper Mount
Retrofits	Jeep, Dodge, PT, and Chrysler
Minimum Operating Temperature	-40 °C / -40 °F
Maximum Operating Temperature	65 °C / 149 °F
Mating Connector	Packard (#12059183)
Shipping Weight	0.93 lbs / 0.42 kgs



PRODUCT DIMENSIONS



Print date: 2017-09-26

© 2017 J.W. Speaker Corporation • Germantown, WI U.S.A.
 www.jwspeaker.com • speaker@jwspeaker.com • 262.251.6660

J.W. SPEAKER
 Engineered. Lighting. Solutions.

LED Fog Lights - Model 6145

ELECTRICAL SPECIFICATIONS

Input Voltage	12V DC
Operating Voltage	10-15V DC
Red Wire	Positive
Black Wire	Negative
Current Draw	1.60A @ 12V DC

REGULATORY STANDARDS COMPLIANCE



Buy America Standards

Eco Friendly

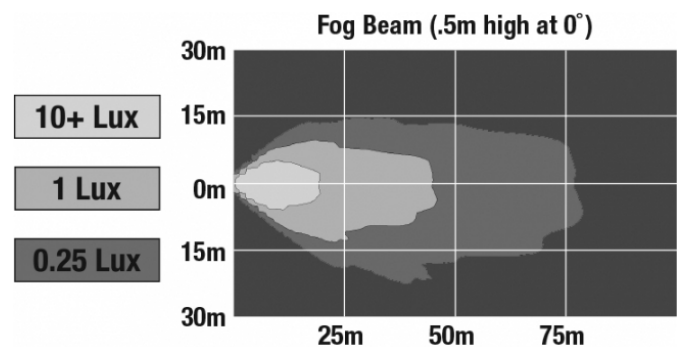
Tested to ECE Reg. 10
(Radiated Emissions only)

ECE Reg 19

SAE J583

PHOTOMETRIC SPECIFICATIONS

Raw Lumen Output	1,080
Effective Lumen Output	610
Nominal LED Color Temperature	5000 K
Beam Pattern(s)	Forward Lighting - Fog



Print date: 2017-09-26

© 2017 J.W. Speaker Corporation • Germantown, WI U.S.A.
www.jwspeaker.com • speaker@jwspeaker.com • 262.251.6660

LED Fog Lights - Model 6145

APPLICATIONS



Automotive



Off-Road 4x4

INSTALLATION & APPLICATION INFORMATION

Plug & Play for the following vehicles:

2007-2010 Jeep Wrangler 2-Door (JK)
2007-2010 Jeep Wrangler Unlimited 4-Door (JK)
2009 Dodge Journey
2006-2012 PT Cruiser

Splicing Required for the following vehicles:

2011-2012 Jeep Wrangler
2010-2012 Dodge Journey
2011-2012 Jeep Grand Cherokee
2011-2012 Dodge Charger
2005 Chrysler 300

RELATED PRODUCTS



Part Number

0547941

12V SAE/ECE RHT &
LHT LED Fog Light with
Chrome Inner Bezel

Print date: 2017-09-26

© 2017 J.W. Speaker Corporation • Germantown, WI U.S.A.
www.jwspeaker.com • speaker@jwspeaker.com • 262.251.6660