

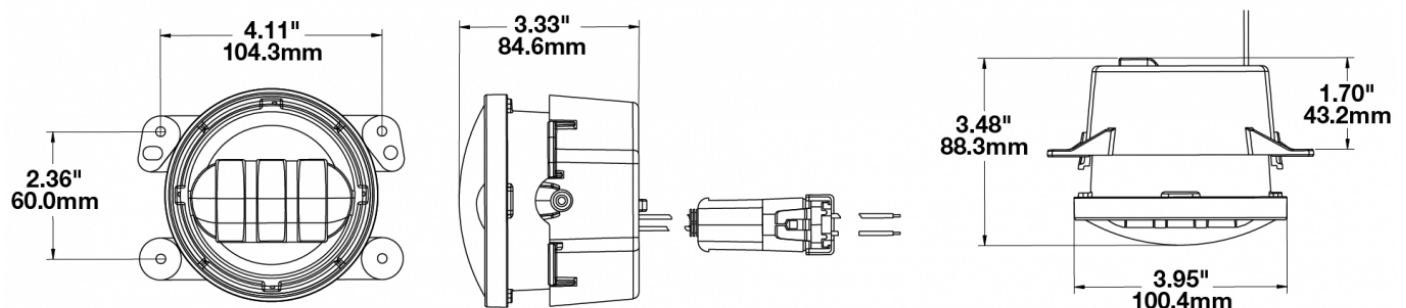
LED Jeep Fog Lights - Model 6145 J2 Series

PRODUCT INFORMATION

Description	12V SAE/ECE LED Fog Light with Carbon Fiber Inner Bezel - 2 Light Kit
Height	100.08 mm / 3.94 in
Width	125.73 mm / 4.95 in
Depth	88.39 mm / 3.48 in
Shape	Round
Outer Lens Material	Hardcoated Polycarbonate
Outer Lens Color	Clear
Housing Material	Die-Cast Aluminum
Housing Color	Black
Bezel Color	Black Carbon Fiber
Mounting Type	Bumper Mount
Retrofits	Jeep, Dodge, PT and Chrysler
Minimum Operating Temperature	-40 °C / -40 °F
Maximum Operating Temperature	65 °C / 149 °F
Mating Connector	Packard 12059183
Shipping Weight	2.30 lbs / 1.04 kgs



PRODUCT DIMENSIONS



Print date: 2017-12-17

© 2017 J.W. Speaker Corporation • Germantown, WI U.S.A.
 www.jwspeaker.com • speaker@jwspeaker.com • 262.251.6660

J.W. SPEAKER 
 Engineered. Lighting. Solutions.

LED Jeep Fog Lights - Model 6145 J2 Series

ELECTRICAL SPECIFICATIONS

Input Voltage	12V DC
Operating Voltage	10-15V DC
Red Wire	Positive
Black Wire	Negative
Current Draw	1.60A @ 12V DC

REGULATORY STANDARDS COMPLIANCE



Buy America Standards

Eco Friendly

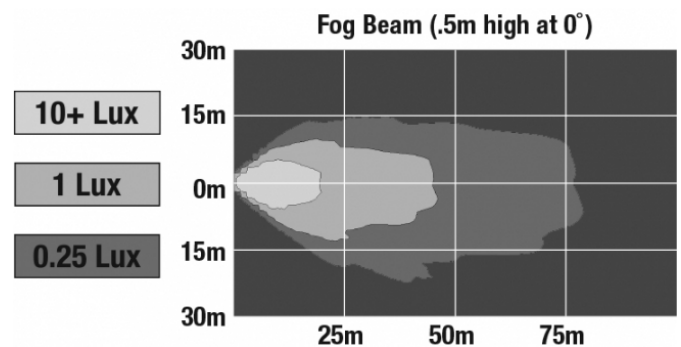
Tested to ECE Reg. 10
(Radiated Emissions only)

ECE Reg 19

SAE J583

PHOTOMETRIC SPECIFICATIONS

Raw Lumen Output	1,080
Effective Lumen Output	610
Nominal LED Color Temperature	5000 K
Beam Pattern(s)	Forward Lighting - Fog



Print date: 2017-12-17

© 2017 J.W. Speaker Corporation • Germantown, WI U.S.A.
www.jwspeaker.com • speaker@jwspeaker.com • 262.251.6660

LED Jeep Fog Lights - Model 6145 J2 Series

APPLICATIONS



INSTALLATION & APPLICATION INFORMATION

The Model 6145 J2 Series fog lights are designed exclusively for Jeep Fog Lights, intended for 2007 & newer model year Jeep Wranglers. Splicing required.

RELATED PRODUCTS



Part Number

0554573

12V SAE/ECE LED Fog
Light with Black Inner
Bezel - 2 Light Kit

Print date: 2017-12-17

© 2017 J.W. Speaker Corporation • Germantown, WI U.S.A.
www.jwspeaker.com • speaker@jwspeaker.com • 262.251.6660