

# LED Headlights - Model 8910 Evolution 2

## PRODUCT INFORMATION

<b>Description</b>	12-24V DOT/ECE LED RHT High & Low Beam Heated Headlight with Chrome Inner Bezel
<b>Height</b>	141.99 mm / 5.59 in
<b>Width</b>	199.90 mm / 7.87 in
<b>Depth</b>	95.00 mm / 3.74 in
<b>Shape</b>	Rectangular
<b>Outer Lens Material</b>	Polycarbonate
<b>Outer Lens Color</b>	Clear
<b>Housing Material</b>	Die-Cast Aluminum
<b>Housing Color</b>	Black
<b>Bezel Color</b>	Chrome
<b>Retrofits</b>	2B1 5" X 7" Headlights
<b>Minimum Operating Temperature</b>	-40 °C / -40 °F
<b>Maximum Operating Temperature</b>	65 °C / 149 °F
<b>Connector or Wiring</b>	H4
<b>Mating Connector</b>	H4 AMP#172615-2
<b>Product Weight</b>	2.80 lbs / 1.27 kgs
<b>Shipping Weight</b>	3.89 lbs / 1.76 kgs



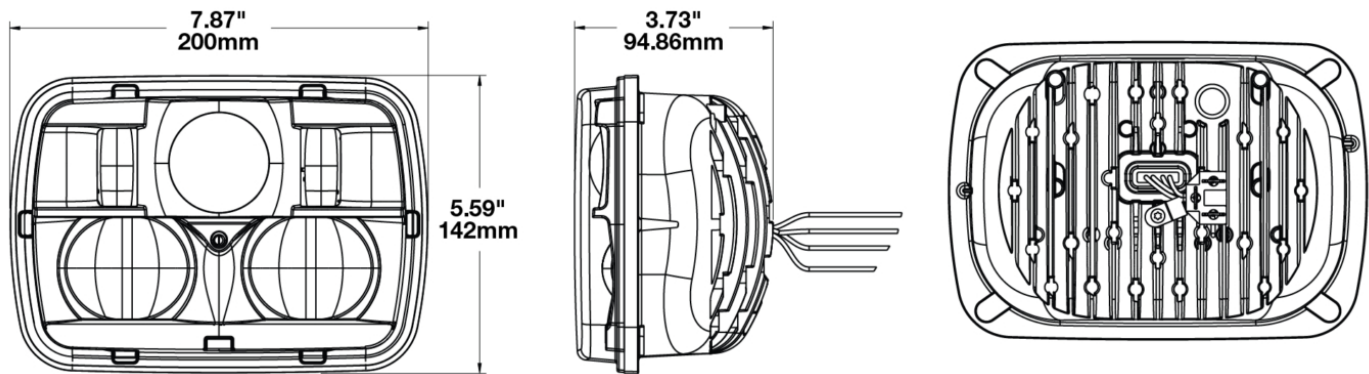
Print date: 2018-06-23

© 2018 J.W. Speaker Corporation • Germantown, WI U.S.A.  
www.jwspeaker.com • speaker@jwspeaker.com • 262.251.6660

**J.W. SPEAKER**   
Engineered. Lighting. Solutions.

# LED Headlights - Model 8910 Evolution 2

## PRODUCT DIMENSIONS



## ELECTRICAL SPECIFICATIONS

<b>Input Voltage</b>	12-24V DC
<b>Operating Voltage</b>	10-32V DC
<b>Transient Spike Protection</b>	150V Peak @ 1 HZ-100 Pulses
<b>Black Wire</b>	Ground
<b>Yellow Wire</b>	Low Beam
<b>White Wire</b>	High Beam
<b>Red Wire</b>	Front Position*
<b>Current Draw</b>	5.35A @ 12V DC (High Beam)
	4.30A @ 12V DC (Low Beam)
	2.80A @ 12V DC (Front Position)
	2.50A @ 24V DC (High Beam)
	2.10A @ 24V DC (Low Beam)
	1.32A @ 24V DC (Front Position)

Print date: 2018-06-23

© 2018 J.W. Speaker Corporation • Germantown, WI U.S.A.  
 www.jwspeaker.com • speaker@jwspeaker.com • 262.251.6660

# LED Headlights - Model 8910 Evolution 2

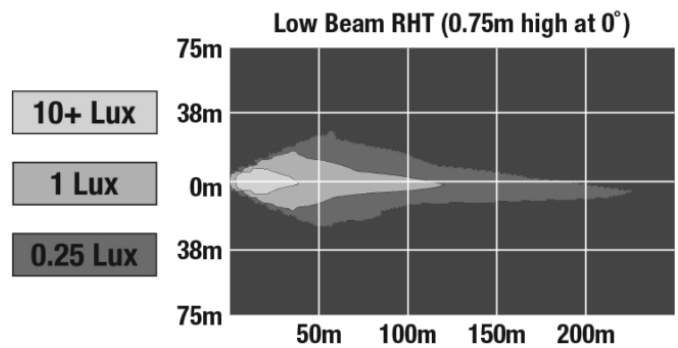
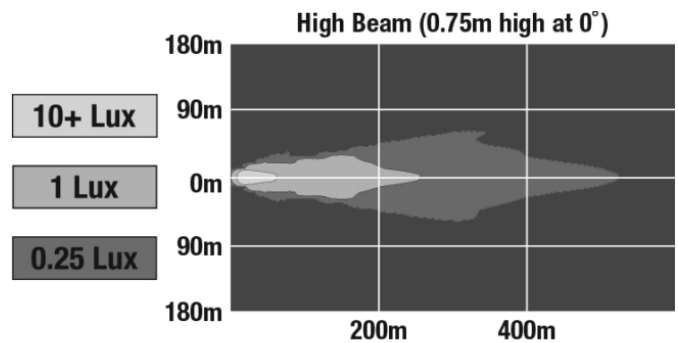
## REGULATORY STANDARDS COMPLIANCE



Buy America Standards	ECE Reg 112
ECE Reg 7	Eco Friendly
FMVSS 108 Table XIX	FMVSS 108 Table XVIII
IEC IP69K	

## PHOTOMETRIC SPECIFICATIONS

<b>Raw Lumen Output</b>	3,015 (High Beam); 2,250 (Low Beam)
<b>Effective Lumen Output</b>	1,320 (High Beam); 975 (Low Beam)
<b>Beam Pattern(s)</b>	Forward Lighting - High Beam (DOT/ECE) Forward Lighting - Low Beam (DOT/ECE) Signalization - Front Position



Print date: 2018-06-23

© 2018 J.W. Speaker Corporation • Germantown, WI U.S.A.  
www.jwspeaker.com • speaker@jwspeaker.com • 262.251.6660

# LED Headlights - Model 8910 Evolution 2

## APPLICATIONS

---



## ADDITIONAL INFORMATION

---

\*Front position light is a requirement outside the United States. If your vehicle is operated in the United States you do not need to connect this wire unless your vehicle is equipped with a front position light.

## SMARTHEAT™ HEATING SYSTEM

---

The SmartHeat™ heating system senses ambient temperature and turns the integrated heating system in the lens on & off. This system actually clears ice & snow twice as fast as conventional halogen lamps.

### When does the heater turn on?

Heater turns on or off according to temperature changes and vehicle power:

- Heater will turn on when temperatures drop, generating enough heat to prevent ice build-up.
- Heater will turn on when powering up, de-icing the light as rapidly as possible.

### When does the heater turn off?

Heater will turn off when it senses temperatures increase and are above the high temperature threshold.

Learn more about this technology [here](#).

---

Print date: 2018-06-23

© 2018 J.W. Speaker Corporation • Germantown, WI U.S.A.  
www.jwspeaker.com • speaker@jwspeaker.com • 262.251.6660

**J.W. SPEAKER**   
Engineered. Lighting. Solutions.

# LED Headlights - Model 8910 Evolution 2

## RELATED PRODUCTS

---



**Part Number**  
**0554421**  
12-24V ECE LED LHT  
High & Low Beam  
Heated Headlight with  
Chrome Inner Bezel



**Part Number**  
**0554441**  
12-24V ECE LED LHT  
High & Low Beam  
Heated Headlight with  
Black Inner Bezel



**Part Number**  
**0554481**  
12-24V DOT/ECE LED  
RHT High & Low Beam  
Heated Headlight with  
Black Inner Bezel