

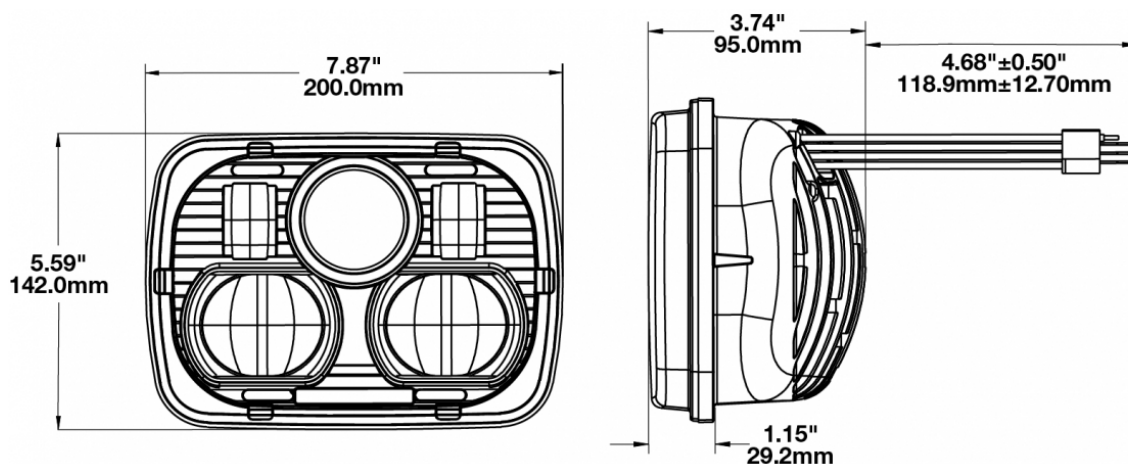
LED Headlights - Model 8900 Evolution

PRODUCT INFORMATION

Description	12-24V ECE LED LHT High & Low Beam Headlight with Chrome Inner Bezel
Height	141.99 mm / 5.59 in
Width	199.90 mm / 7.87 in
Depth	95.00 mm / 3.74 in
Shape	Rectangular
Outer Lens Material	Polycarbonate
Outer Lens Color	Clear
Housing Material	Aluminum
Housing Color	Gray
Bezel Color	Chrome
Retrofits	2B1 5" X 7" headlights
Minimum Operating Temperature	-40 °C / -40 °F
Maximum Operating Temperature	65 °C / 149 °F
Connector or Wiring	H4
Mating Connector	H4 AMP#172615-2
Product Weight	2.67 lbs / 1.21 kgs



PRODUCT DIMENSIONS



Print date: 2017-06-24

© 2017 J.W. Speaker Corporation • Germantown, WI U.S.A.
 www.jwspeaker.com • speaker@jwspeaker.com • 262.251.6660

J.W. SPEAKER
 Engineered. Lighting. Solutions.

LED Headlights - Model 8900 Evolution

ELECTRICAL SPECIFICATIONS

Input Voltage	12-24V DC
Operating Voltage	9-32V DC
Black Wire	Ground
Yellow Wire	Low Beam
White Wire	High Beam
Red Wire	Front Position
Current Draw	2.60A @ 12V DC (High Beam) 2.20A @ 12V DC (Low Beam) 0.20A @ 12V DC (Front Position) 1.23A @ 24V DC (High Beam) 2.2A @ 24V DC (Low Beam) 0.11A @ 24V DC (Front Position)

REGULATORY STANDARDS COMPLIANCE



Buy America Standards
ECE Reg 7



ECE Reg 112
Eco Friendly

Print date: 2017-06-24

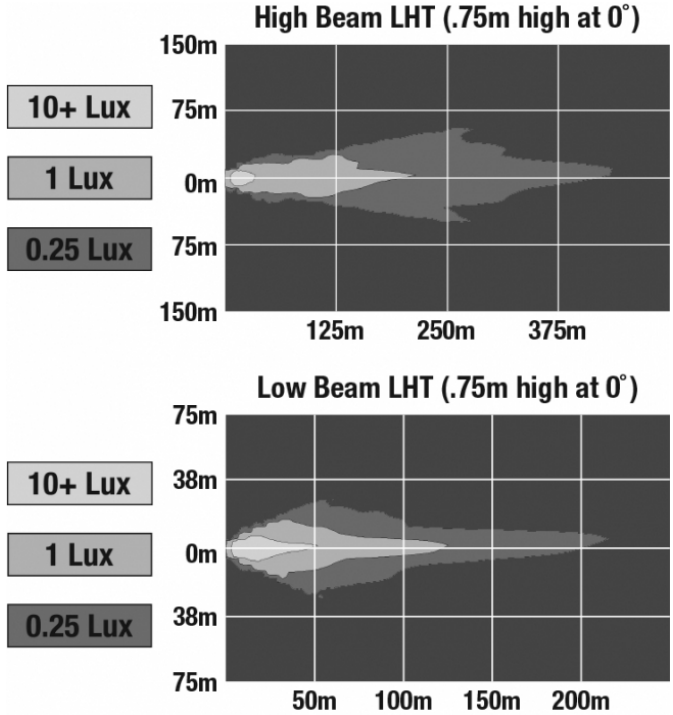
© 2017 J.W. Speaker Corporation • Germantown, WI U.S.A.
www.jwspeaker.com • speaker@jwspeaker.com • 262.251.6660

J.W. SPEAKER 
Engineered. Lighting. Solutions.

LED Headlights - Model 8900 Evolution

PHOTOMETRIC SPECIFICATIONS

Raw Lumen Output	1,770 (High Beam); 1,350 (Low Beam)
Effective Lumen Output	850 (High Beam); 650 (Low Beam)
Candela Output	54,924 (High Beam); 40,492 (Low Beam)
Nominal LED Color Temperature	5000 K
Beam Pattern(s)	Forward Lighting - High Beam (DOT/ECE) Forward Lighting - Low Beam (ECE Left Hand) Signalization - Front Position



APPLICATIONS



Print date: 2017-06-24

© 2017 J.W. Speaker Corporation • Germantown, WI U.S.A.
www.jwspeaker.com • speaker@jwspeaker.com • 262.251.6660



LED Headlights - Model 8900 Evolution

ACCESSORIES



Part Number
3157041
5x7 Housing Assembly
for 8900 Evolution
Series Headlights

RELATED PRODUCTS



Part Number
0550071
12-24V DOT LED High
& Low Beam Headlight
with Chrome Inner
Bezel



Part Number
0550091
12-24V ECE LED RHT
High & Low Beam
Headlight with Chrome
Inner Bezel



Part Number
0550111
12-24V DOT LED High
& Low Beam Headlight
with Black Inner Bezel



Part Number
0550121
12-24V ECE LED LHT
High & Low Beam
Headlight with Black
Inner Bezel



Part Number
0550131
12-24V ECE LED RHT
High & Low Beam
Headlight with Black
Inner Bezel