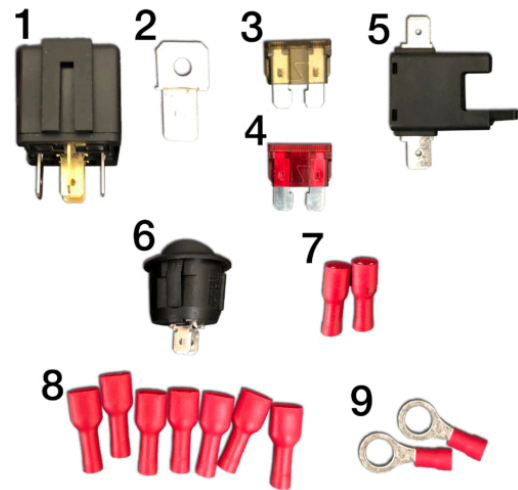


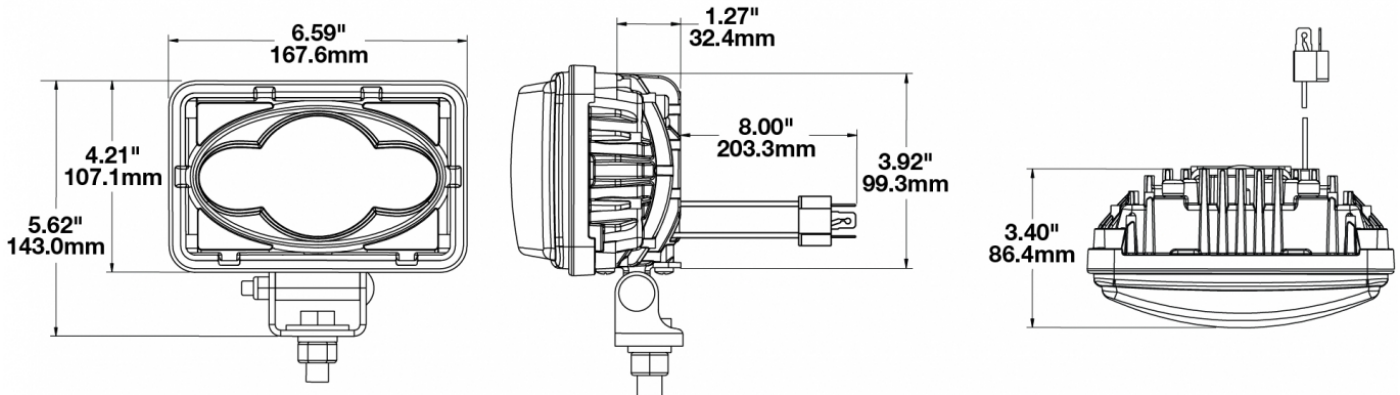
Relay/Switch Kit

PRODUCT INFORMATION

Description Relay/Switch Kit
Shipping Weight 0.90 lbs / 0.41 kgs



PRODUCT DIMENSIONS



Print date: 2024-11-10

© 2024 J.W. Speaker Corporation • Germantown, WI U.S.A.
 www.jwspeaker.com • speaker@jwspeaker.com • 262.251.6660

Relay/Switch Kit

APPLICATIONS



ADDITIONAL INFORMATION

RELAY KIT COMPONENTS:

1. RELAY - (QTY 1)
2. RELAY BRACKET - (QTY 1)
3. FUSE 7.5 AMP - (QTY 1)
4. FUSE 10 AMP - (QTY 1)
5. FUSE HOLDER - (QTY 1)
6. SWITCH TO MOUNT IN 20 MM HOLE - (QTY 1)
7. INSULATED FEMALE SPADE 4.8 MM CRIMPS TO SUIT SWITCH - (QTY 2)
8. INSULATED FEMALE SPADE 6.3 MM CRIMPS TO SUIT RELAY AND FUSE HOLDER - (QTY 7)
9. INSULATED RING TERMINALS FOR POSITIVE AND NEGATIVE POWER CONNECTIONS - (QTY 2)
10. PACKAGING: CLEAR POLY BAG, SEALED AND LABELED WITH JWS PART NUMBER

PRODUCT WARNINGS

For California residents:

⚠ WARNING: Cancer and reproductive harm - www.P65Warnings.ca.gov.

⚠ AVERTISSEMENT: Cancer et effet nocif sur la reproduction - www.P65Warnings.ca.gov.

Print date: 2024-11-10

© 2024 J.W. Speaker Corporation • Germantown, WI U.S.A.
www.jwspeaker.com • speaker@jwspeaker.com • 262.251.6660

J.W. SPEAKER
Engineered. Lighting. Solutions.